

COAXIAL CONNECTOR

SMA OR PCB TYPE

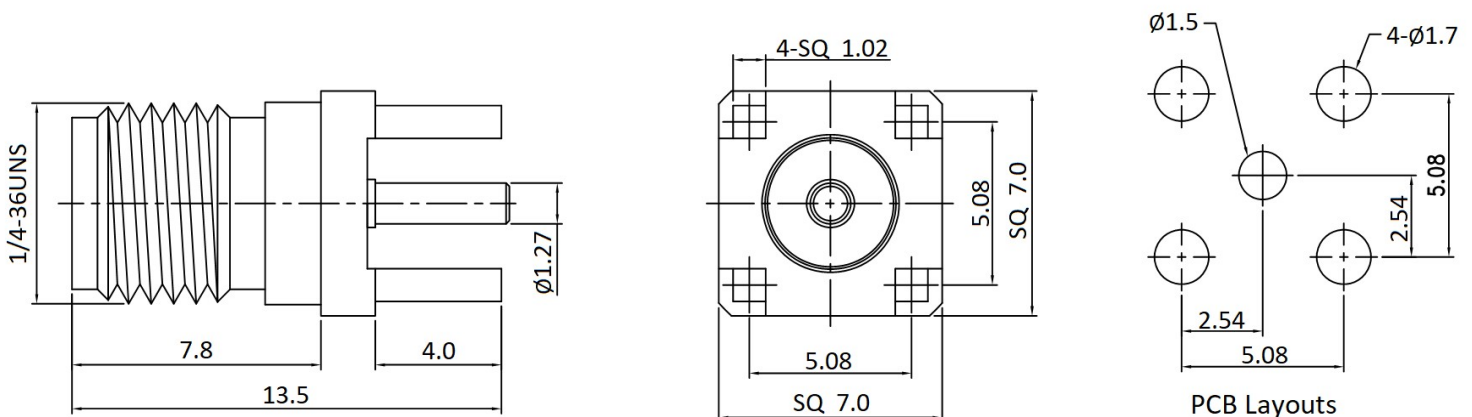
Features

- ✓ Frequency up to 18GHz
- ✓ Low VSWR
- ✓ Low Insertion Loss

Specifications

PART NUMBER	MVE3113A-13.5
DESCRIPTION	50ohm SMA Female S/T For PCB Connector, DIP DC-18GHz
ELECTRICAL	
FREQUENCY: DC-18GHz IMPEDANCE: 50 OHM WORKING VOLTAGE: 335 Vrms Max. DIELECTRIC WITHSTANDING VOLTAGE: 1000V Min. INSULATOR RESISTANCE: 5000 MEGOHM Min.	
MATERIALS	
BODY: BRASS, GOLD PLATED CONTACT: BERYLIUM COPPER, GOLD PLATED INSULATOR: PETFE	
TOLERANCE: X=±0.2 X.X=±0.1 X.XX=±0.05	

Outline Drawing (Unit: mm)



NOTES:

1. ALL SPECIFICATIONS ARE SUBJECT TO CHANGE WITHOUT NOTICE AT ANY TIME
2. CUSTOMER OUTLINE DRAWING FOR REFERENCE ONLY

