

COAXIAL CONNECTOR

SMA PCB DIP Type

Features

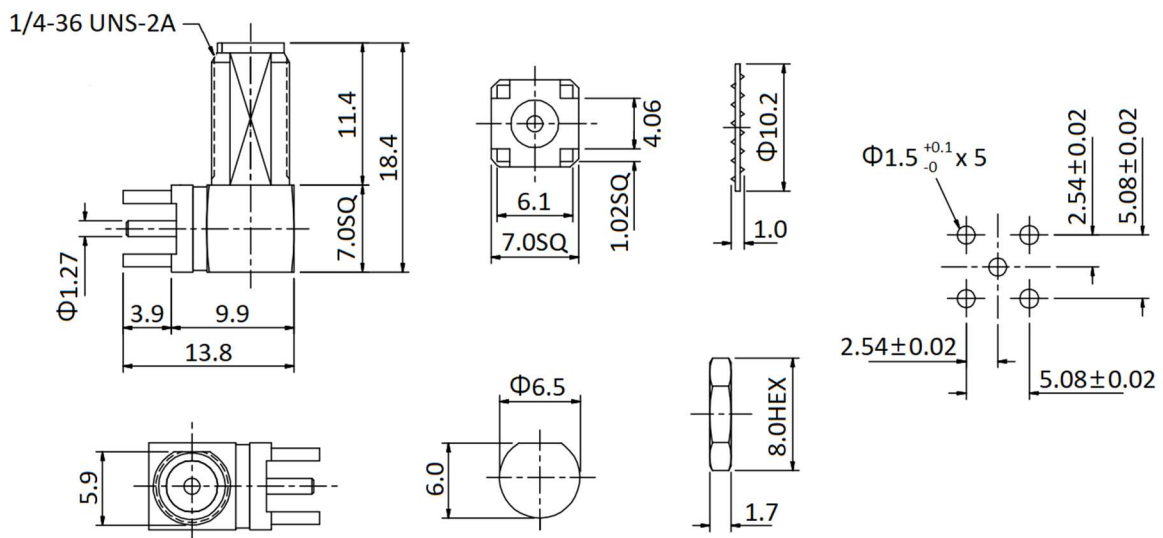
- ✓ Frequency up to 12.4 GHz
- ✓ High Durability
- ✓ High performance design

Specifications

PART NUMBER	MVE3108-18.4
DESCRIPTION	SMA Female R/A For PCB Connector, DIP DC-12.4GHz
ELECTRICAL	MATERIALS
FREQUENCY: DC-12.4GHz IMPEDANCE: 50 ohm VSWR: 1.50:1 MAX. WORKING VOLTAGE: 500Vrms MAX. DIELECTRIC WITHSTANDING VOLTAGE: 1000Vrms MAX. INSULATOR RESISTANCE: 5000MEGOHMS MIN.	BODY: BRASS, GOLD PLATED CONTACT: BE COPPER, GOLD PLATED INSULATOR: PTFE

TOLERANCE: X=±0.2 X.X=±0.1 X.XX=±0.05

Outline Drawing (Unit: mm)



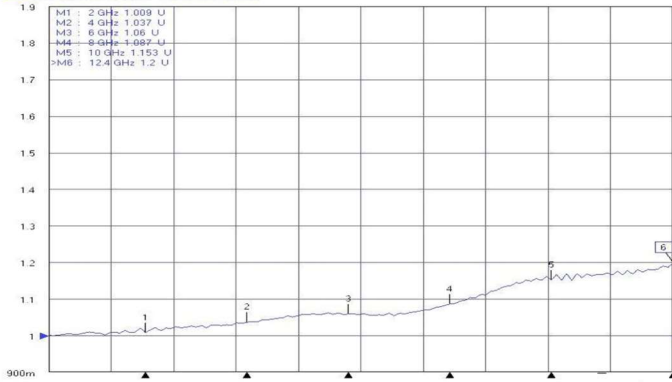
NOTES:

1. ALL SPECIFICATIONS ARE SUBJECT TO CHANGE WITHOUT NOTICE AT ANY TIME
2. CUSTOMER OUTLINE DRAWING FOR REFERENCE ONLY



Typical Test Result

▶ 178 S11 Refl SWR RefLvl: 1 U Res: 100 mU/Div



▶ 179 S21 Trans LogM RefLvl: 0 dB Res: 2 dB/Div

