

# COAXIAL CONNECTOR

## SMA MALE R/A FOR PCB TYPE

### Features

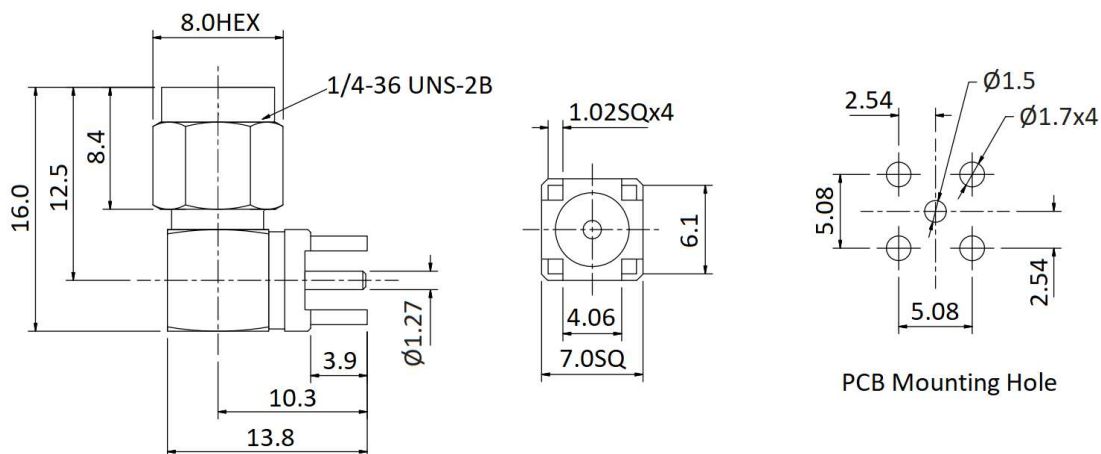
- ✓ Frequency up to 6 GHz
- ✓ High Durability
- ✓ High performance design

### Specifications

<b>PART NUMBER</b>	<b>MVE3106-16.0B</b>
<b>DESCRIPTION</b>	SMA Male R/A For PCB Connector, DIP DC-6GHz
<b>ELECTRICAL</b>	<b>MATERIALS</b>
FREQUENCY: DC-6GHz IMPEDANCE: 50 Ohm WORKING VOLTAGE: 500Vrms MAX. DIELECTRIC WITHSTANDING VOLTAGE: 1000Vrms MAX. INSULATOR RESISTANCE: 5000 MEGOHMS MIN.	BODY: BRASS, GOLD PLATED CONTACT: BRASS, GOLD PLATED 30u" INSULATOR: PTFE C-RING: BE COPPER GASKET: SILICON

TOLERANCE: X=±0.2 X.X=±0.1 X.XX=±0.05

### Outline Drawing (Unit: mm)



NOTES:

1. ALL SPECIFICATIONS ARE SUBJECT TO CHANGE WITHOUT NOTICE AT ANY TIME
2. CUSTOMER OUTLINE DRAWING FOR REFERENCE ONLY

