

COAXIAL CONNECTOR

SMA MALE R/A FOR PCB TYPE

Features

- ✓ Frequency up to 12.4GHz
- ✓ Low VSWR
- ✓ High Durability

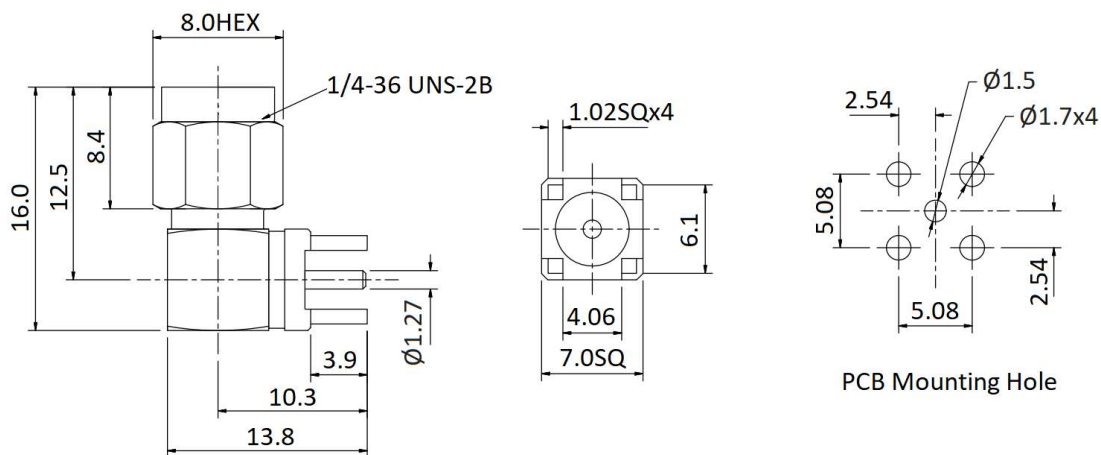


Specifications

PART NUMBER	MVE3106-16.0
DESCRIPTION	SMA Male R/A For PCB Connector, DIP DC-12.4GHz
ELECTRICAL	MATERIALS
FREQUENCY: DC-12.4 GHz IMPEDANCE: 50 Ohm VSWR: 1.3:1 MAX. WORKING VOLTAGE: 500Vrms MAX. DIELECTRIC WITHSTANDING VOLTAGE: 1000Vrms MAX. INSULATOR RESISTANCE: 5000 MEGOHMS MIN.	BODY: BRASS, GOLD PLATED CONTACT: BRASS, GOLD PLATED 30u" INSULATOR: PTFE C-RING: BE COPPER GASKET: SILICON

TOLERANCE: X=±0.2 X.X=±0.1 X.XX=±0.05

Outline Drawing (Unit: mm)



NOTES:

1. ALL SPECIFICATIONS ARE SUBJECT TO CHANGE WITHOUT NOTICE AT ANY TIME
2. CUSTOMER OUTLINE DRAWING FOR REFERENCE ONLY

