

COAXIAL CONNECTOR

SMA DIP FOR PCB TYPE

Features

- ✓ Frequency up to 12.4GHz
- ✓ Low Insertion Loss
- ✓ High Durability

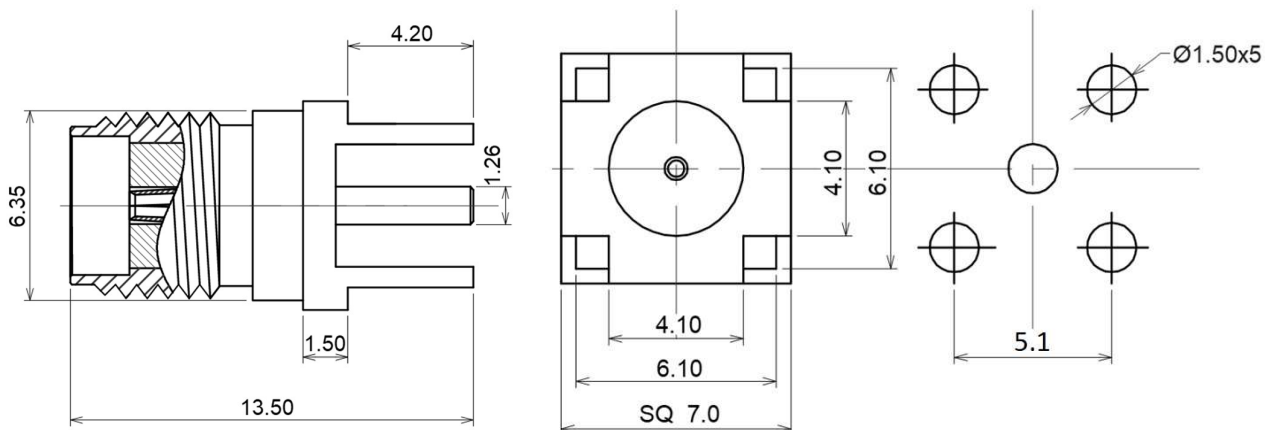


Specifications

PART NUMBER	MVE3101-13.5A
DESCRIPTION	SMA Female S/T for PCB Connector, DIP DC-12.4GHz
ELECTRICAL	MATERIALS
FREQUENCY: DC-12.4 GHz IMPEDANCE: 50 Ohm INSERTION LOSS: 1.2dB DURABILITY: 500 Cycles	BODY: BRASS, GOLD PLATED CONTACT: BRASS, GOLD PLATED INSULATOR: TEFLON

TOLERANCE: X=±0.2 X.X=±0.1 X.XX=±0.05

Outline Drawing (Unit: mm)



NOTES:

1. ALL SPECIFICATIONS ARE SUBJECT TO CHANGE WITHOUT NOTICE AT ANY TIME
2. CUSTOMER OUTLINE DRAWING FOR REFERENCE ONLY

