

COAXIAL ADAPTER

Mini Fakra-SMA Standard Series

Features

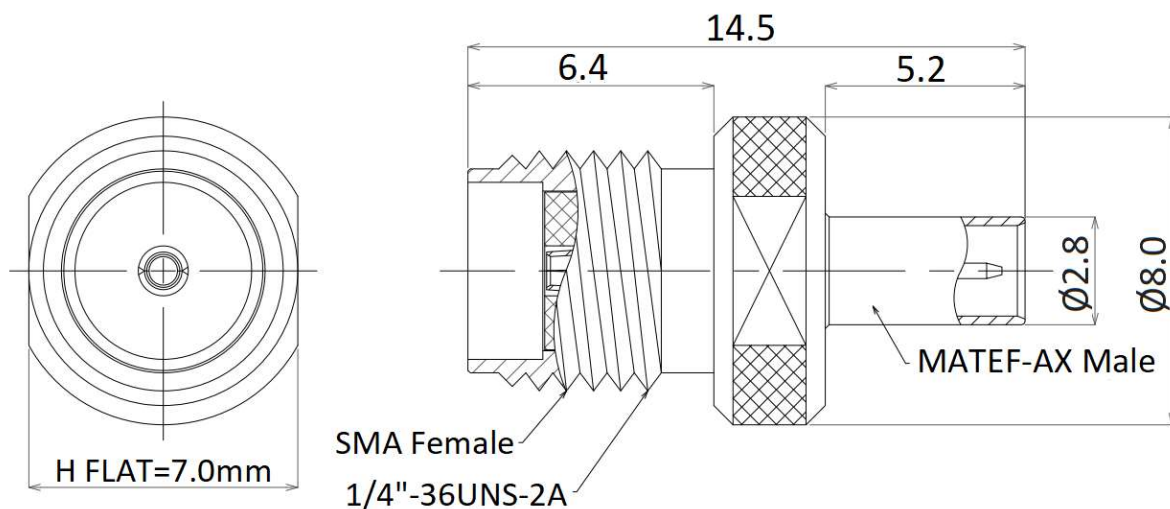
- ✓ Frequency up to 12 GHz
- ✓ Low VSWR
- ✓ Mini Fakra interface

Specifications

PART NUMBER	MAD-M105
DESCRIPTION	SMA Female To Mini Fakra Male(MATEF-AX), 12GHz Adapter
ELECTRICAL	MATERIALS
FREQUENCY: DC-12GHz IMPEDANCE: 50Ω VSWR: 1.5:1 MAX.@12GHz	BODY: BRASS,GOLD/NICKLE PLATED CENTER CONTACT:PH-BR,GOLD PLATED INSULATOR:TEFLON
TEST APPLICATION	MECHANICAL
Mini FAKRA B TYPE CONNECTORS FROM MANUFACTURERS TE CONNECTIVITY(TE)	COUPLING METHOD: SNAP-ON DURABILITY: 500CYCLES MIN.

Tolerance: X= ±0.38 .X= ±0.25 .XX= ±0.15

Outline Drawing (Unit: mm)



NOTES:
1. ALL SPECIFICATIONS ARE SUBJECT TO CHANGE WITHOUT NOTICE AT ANY TIME
2. CUSTOMER OUTLINE DRAWING FOR REFERENCE ONLY

