

# COAXIAL ADAPTER

## Mini Fakra-SMA Standard Series

### Features

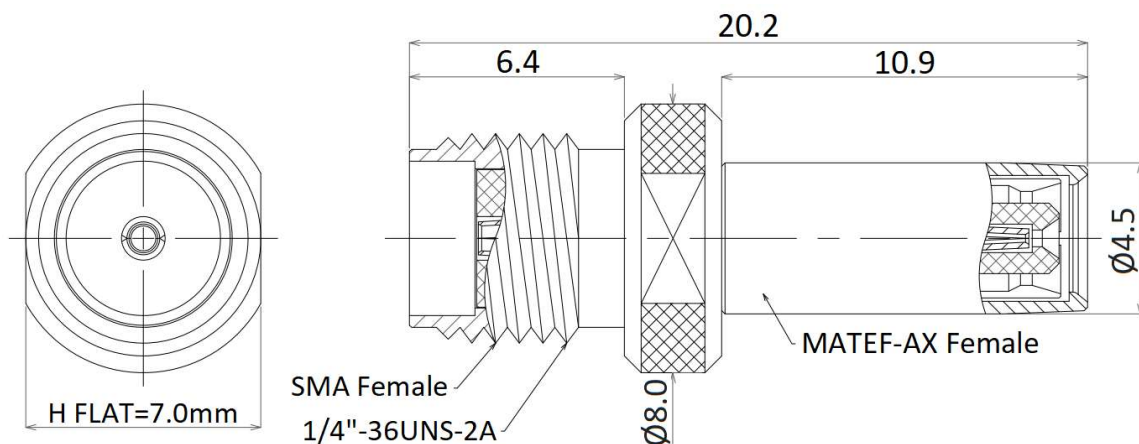
- ✓ Frequency up to 12 GHz
- ✓ Low VSWR
- ✓ Mini Fakra interface

### Specifications

<b>PART NUMBER</b>	<b>MAD-M104</b>
<b>DESCRIPTION</b>	SMA Female To Mini Fakra Female(MATEF-AX ), 12GHz Adapter
<b>ELECTRICAL</b>	<b>MATERIALS</b>
FREQUENCY: DC-12GHz IMPEDANCE: 50Ω VSWR: 1.5:1 MAX.@12GHz	BODY: BRASS,GOLD/NICKLE PLATED CENTER CONTACT:PH-BR,GOLD PLATED INSULATOR:TEFLON
<b>TEST APPLICATION</b>	<b>MECHANICAL</b>
Mini FAKRA B TYPE CONNECTORS FROM MANUFACTURERS TE CONNECTIVITY(TE)	COUPLING METHOD: SNAP-ON DURABILITY: 500CYCLES MIN.

Tolerance: X= ±0.38 .X= ±0.25 .XX= ±0.15

### Outline Drawing (Unit: mm)



NOTES:  
1. ALL SPECIFICATIONS ARE SUBJECT TO CHANGE WITHOUT NOTICE AT ANY TIME  
2. CUSTOMER OUTLINE DRAWING FOR REFERENCE ONLY

