

# COAXIAL ADAPTER

## Mini Fakra- Mini Fakra Standard Series

### Features

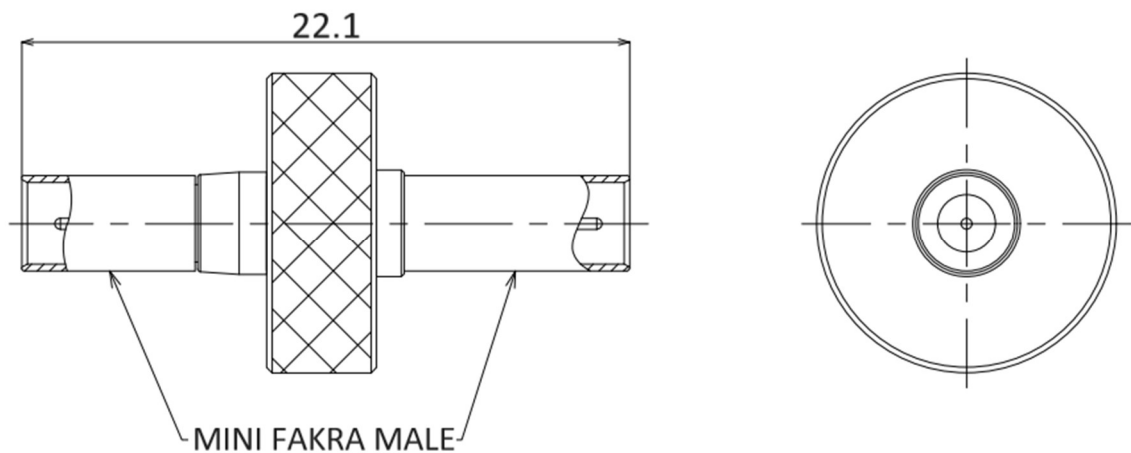
- ✓ Mini Fakra interface
- ✓ Frequency up to 12 GHz
- ✓ Low VSWR

### Specifications

<b>PART NUMBER</b>	<b>MAD-M103</b>
<b>DESCRIPTION</b>	Mini Fakra Male To Mini Fakra Male, 12GHz Adapter
<b>ELECTRICAL</b>	
FREQUENCY: DC-12GHz IMPEDANCE: 50Ω VSWR: 1.5:1 MAX.@12GHz	
<b>MATERIALS</b>	
BODY: BRASS,PH-BR/NICKLE PLATED CENTER CONTACT:BRASS,GOLD PLATED INSULATOR:TEFLON	
<b>MECHANICAL</b>	
COUPLING METHOD: SNAP-ON DURABILITY: 500CYCLE MIN.	

Tolerance: X= ±0.38 .X= ±0.25 .XX= ±0.15

### Outline Drawing (Unit: mm)



NOTES:  
 1. ALL SPECIFICATIONS ARE SUBJECT TO CHANGE WITHOUT NOTICE AT ANY TIME  
 2. CUSTOMER OUTLINE DRAWING FOR REFERENCE ONLY

