

CABLE ASSEMBLY

HSD Male Z Code To HSD Female Z Code, Dacar 5354/L:100cm

MAC70Z71Z.5354.100

PART NUMBER	MAC70Z71Z.5354.100
DESCRIPTION	HSD Male Z Code To HSD Female Z Code, Dacar 5354/L:100cm
CONNECTOR 1	HSD Male Z Code , Water Blue
CONNECTOR 2	HSD Female Z Code , Water Blue
Electrical Specifications	
Frequency	6GHz
Impedance	100Ω
VSWR	--
Insertion Loss	--
Mechanical Specifications	
Length	100cm
Material Specifications	
Cable	Dacar 5354, Black
Environmental Requirements	
Temperature range	0°C~+60°C

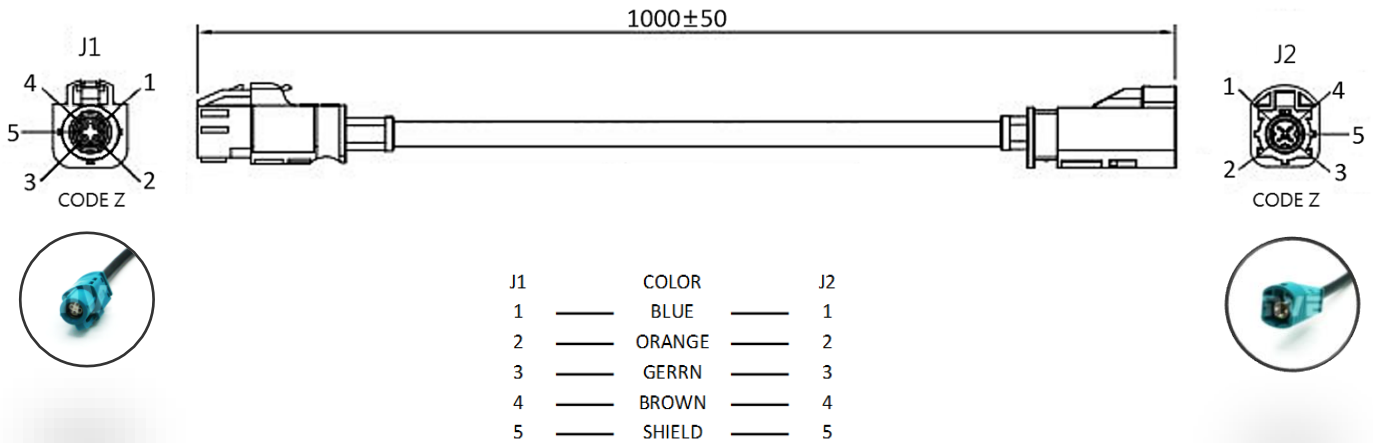


NOTES:

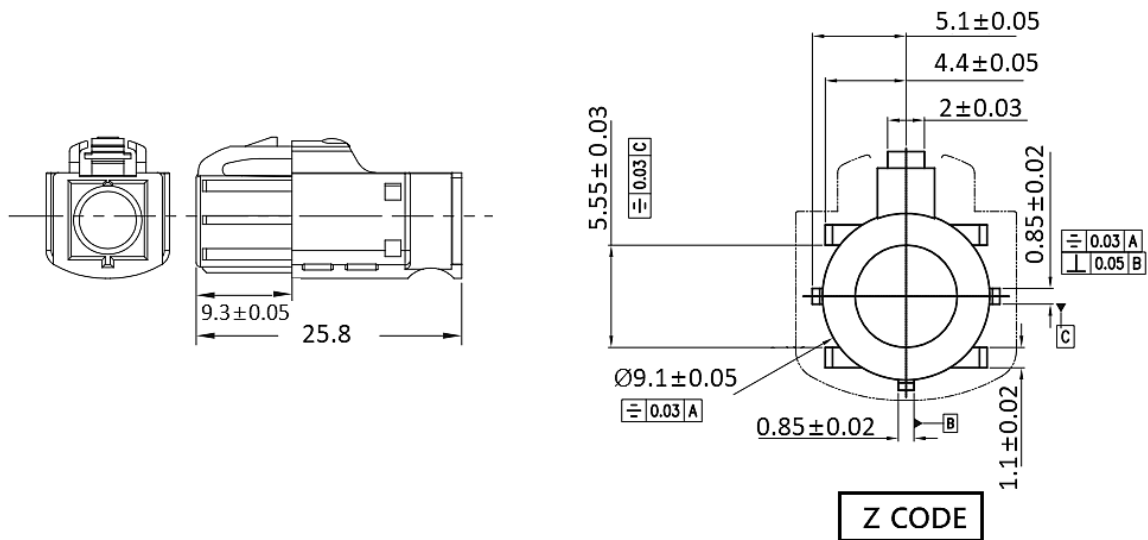
1. ALL SPECIFICATIONS ARE SUBJECT TO CHANGE WITHOUT NOTICE AT ANY TIME
2. CUSTOMER OUTLINE DRAWING FOR REFERENCE ONLY

Tolerance: X=±0.5 X.X=±0.3 X.XX=±0.2

Outline Drawing (Unit: mm)



J1 Outline



NOTES:

1. ALL SPECIFICATIONS ARE SUBJECT TO CHANGE WITHOUT NOTICE AT ANY TIME
2. CUSTOMER OUTLINE DRAWING FOR REFERENCE ONLY