

ELECTRICAL DATA

FREQUENCY: DC-12GHz

IMPEDANCE: 50Ω

VSWR: 1.5:1@DC-12GHz

INSULATION RESISTANCE: 1000Mega-ohms

DIELECTRIC WITHSTANDING: 250Vrms

CENTER CONTACT RESISTANCE: 8.0 Mini-Ohms

OUTER CONTACT RESISTANCE: 6.0 Mini-Ohms

MECHANICAL DATA

COUPLING METHOD: SNAP ON

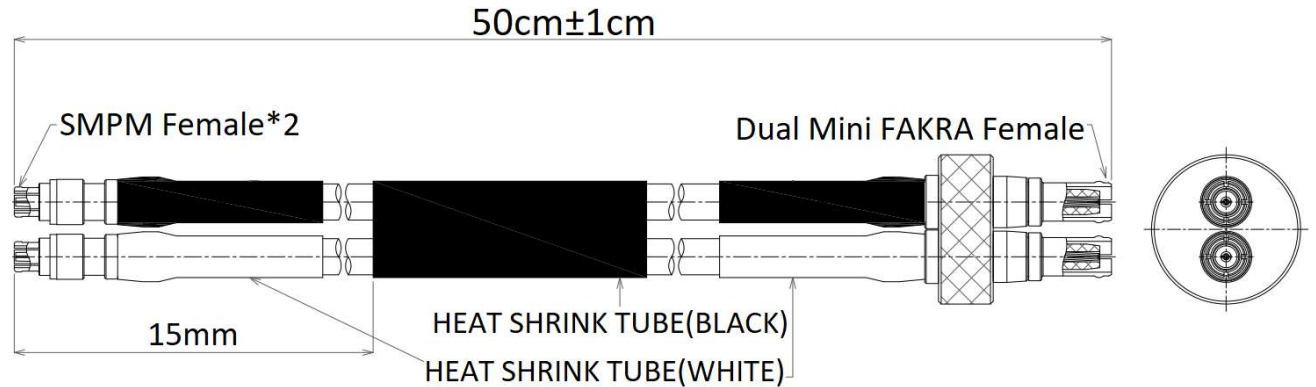
DURABILITY(MATING/UNMATING): 500 CYCLES

TEST APPLICATION

Mini FAKRA CONNECTORS FROM MANUFACTURERS

ROSENBERGER AND AMPHENOL RF

ROHS COMPLIANCE



DESCRIPTION	MATERIALS	ROHS COMPLIANCE	UNIT: mm
SMPM FEMALE	BRASS,NICKEL/GOLD PLATED	TOLERANCE: X=±0.38 X.X=±0.25 X.XX=±0.15	
MINI FAKRA MALE	BRASS, NICKEL/GOLD PLATED	TITLE Dual SMPM Female To Dual Mini FAKRA Male(1x2), DC-12GHz,Flexible 085 Blue / L:30cm(2 in 1)	
INSULATOR	TEFLON		

MVE 芝程科技有限公司
Microwave

www.micro-mve.com

DC-67GHz RF& Microwave Components

PART NO.	MAC630810.F085.50AD	REV 1.0
SIZE: A	SHEET: 1/1	SCALE:

NOTES

1. ALL SPECIFICATIONS ARE SUBJECT TO CHANGE WITHOUT NOTICE AT ANY TIME
2. CUSTOMER OUTLINE DRAWING FOR REFERENCE ONLY