

## ELECTRICAL DATA

FREQUENCY: DC-6GHz

IMPEDANCE: 50Ω

VSWR: 1.42:1@DC-6GHz

INSULATION RESISTANCE: 500Mega-ohms

DIELECTRIC WITHSTANDING: 500Vrms

CENTER CONTACT RESISTANCE:  $[20+L(\text{mm}) \cdot 0.5]$  Mini-Ohms

OUTER CONTACT RESISTANCE:  $[12+L(\text{mm}) \cdot 0.5]$  Mini-Ohms

## MECHANICAL DATA

COUPLING METHOD:

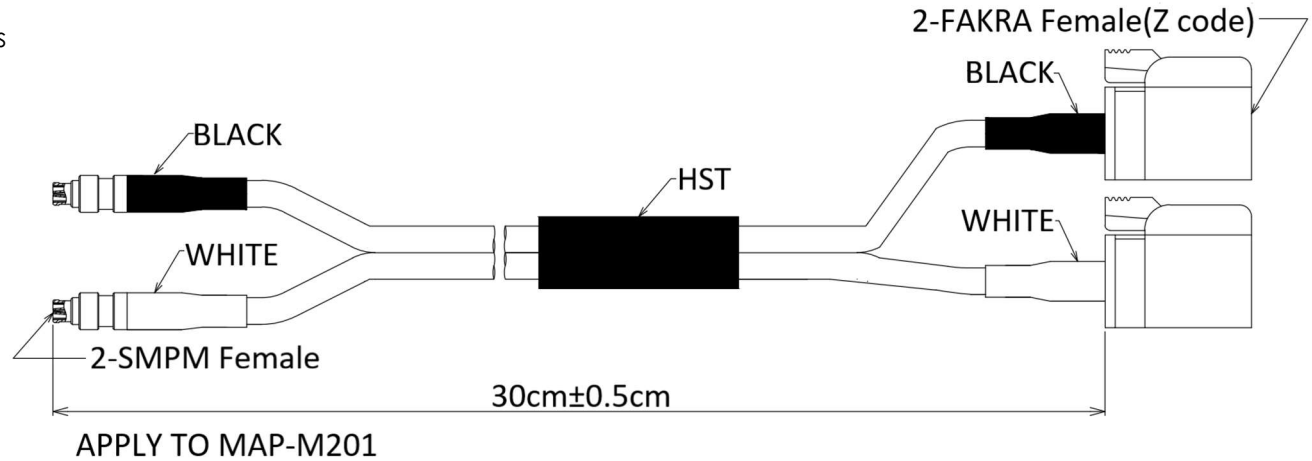
FAKRA- PUSH LOCK

SMPM- SNAP ON

DURABILITY(MATING/UNMATING):

FAKRA- 30 CYCLES

SMPM- 100 CYCLES



## ROHS COMPLIANCE

DESCRIPTION	MATERIALS	ROHS COMPLIANCE	UNIT: mm
SMPM FEMALE	BRASS,NICKEL/GOLD PLATED	TOLERANCE: X=±0.38 X.X=±0.25 X.XX=±0.15	
FAKRA FEMALE	BRASS, NICKEL/GOLD PLATED	TITLE Dual SMPM Female To Dual FAKRA Female(Z code), DC-6GHz,Flexible 085 Blue / L:30cm(2 in 1)	
INSULATOR	TEFLON		

**MVE** Microwave 芝程科技有限公司  
[www.micro-mve.com](http://www.micro-mve.com)

DC-67GHz RF& Microwave Components

PART NO.	<b>MAC63064Z.F085.30AD</b>	REV 1.0
SIZE: A	SHEET: 1/1	SCALE:

### NOTES

1. ALL SPECIFICATIONS ARE SUBJECT TO CHANGE WITHOUT NOTICE AT ANY TIME
2. CUSTOMER OUTLINE DRAWING FOR REFERENCE ONLY