

# WRENCH-TNC-5

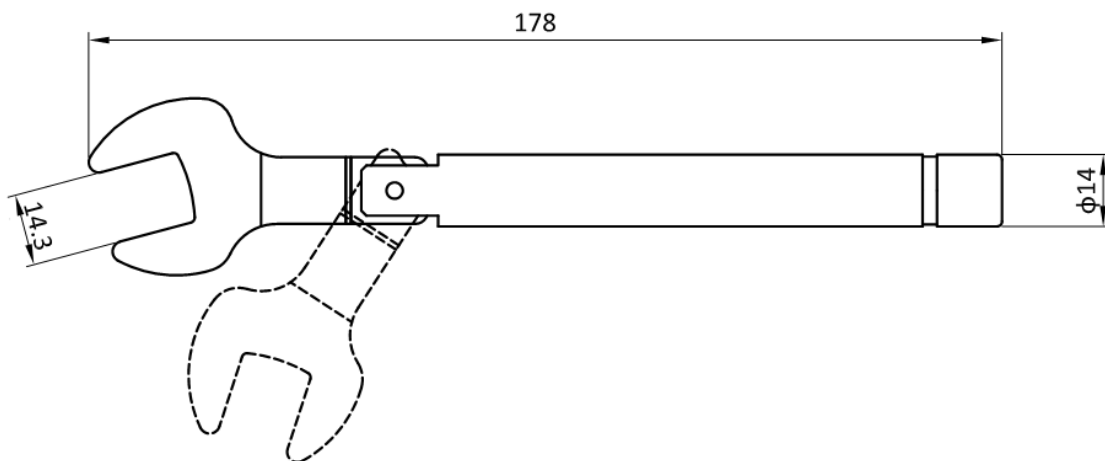
**TNC TYPE**  
**5 IN-LBS**



PART NUMBER	FOR SERIES	TORQUE	OPEN SIZE	ACCURACY	NOTE
WRENCH-TNC-5	TNC TYPE	0.56Nm	14.3 mm	±6%	Adjustable

Tolerance:+0.15mm

## Outline Drawing (Unit: mm)



NOTES:  
1. ALL SPECIFICATIONS ARE SUBJECT TO CHANGE WITHOUT NOTICE AT ANY TIME  
2. CUSTOMER OUTLINE DRAWING FOR REFERENCE ONLY

