

# TRANSITION WAVEGUIDE

# WR15 to WR10

## Features

- ✓ Frequency Range: 75-110GHz
- ✓ WR15 to WR10 waveguide design
- ✓ Connect to FUGP620 /FUGP900 Mod
- ✓ Rugged Waveguide Configuration

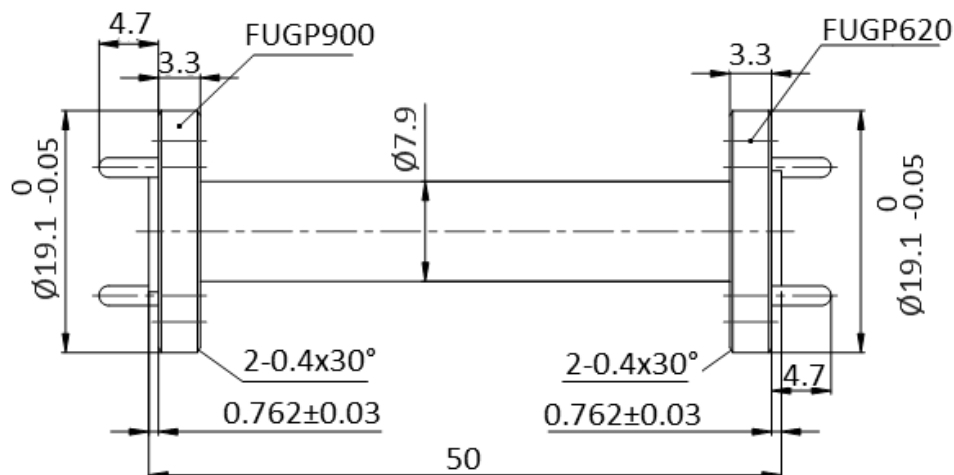


## Specifications

<b>PART NUMBER</b>	MWTS1510-50
<b>DESCRIPTION</b>	75-110GHz WR15 to WR10 Waveguide Transition , L=50mm
<b>ELECTRICAL</b>	<b>MATERIALS</b>
FREQUENCY : 75-110GHz WAVEGUIDE: WR15 to WR10 VSWR: 1.25:1 MAX. FLANGE: FUGP620 /FUGP900	BODY: COPPER/BRASS FINISH: GOLD PLATED

Tolerance:±0.3mm

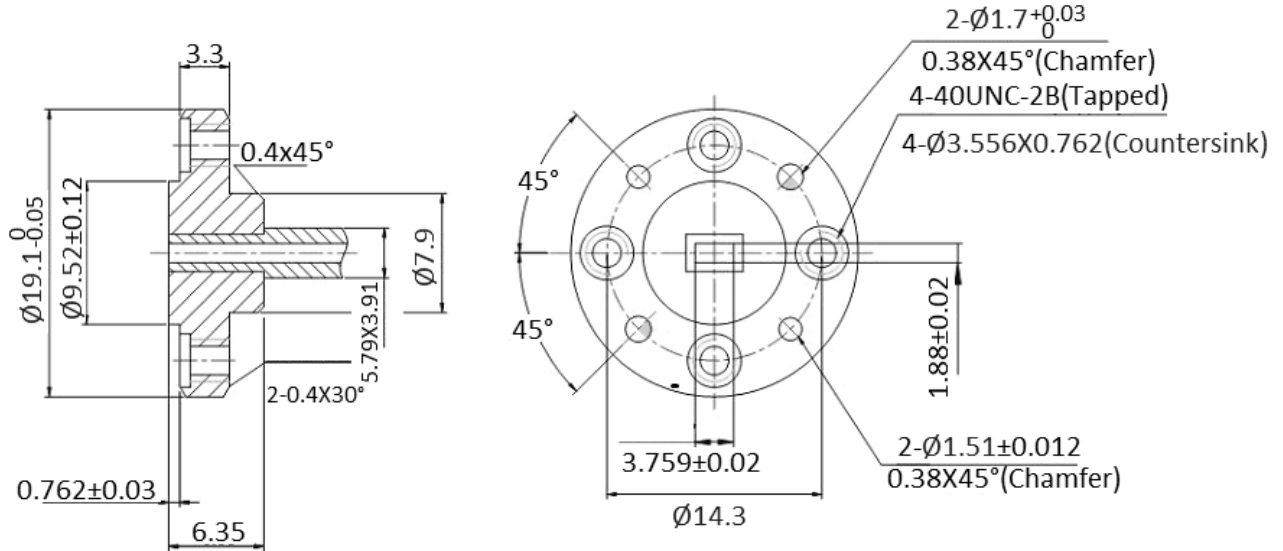
## Outline Drawing (Unit: mm)



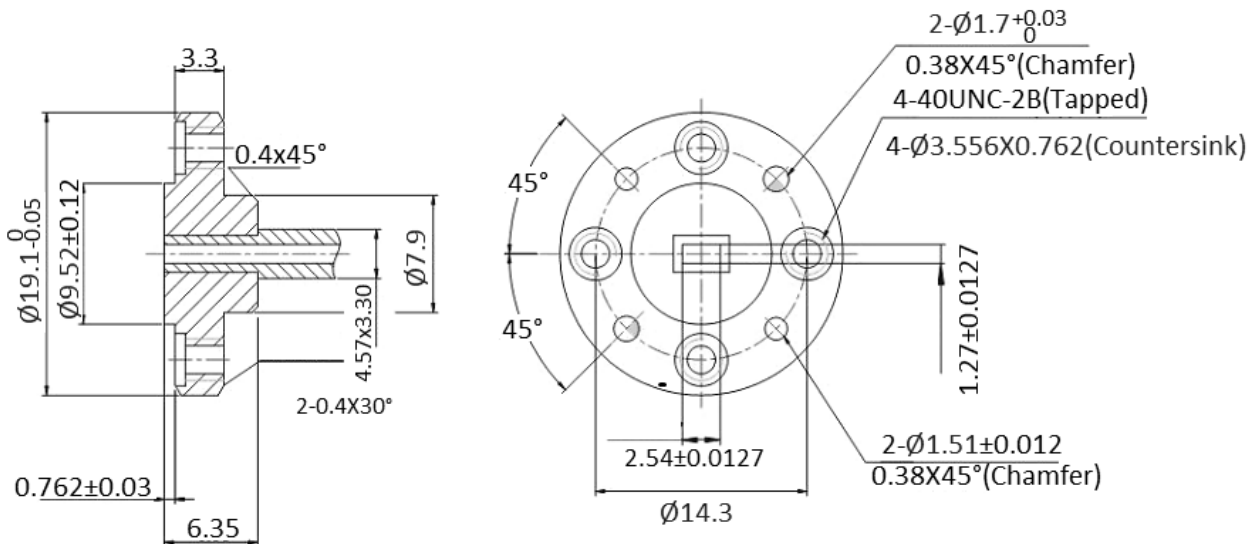
### NOTES:

1. ALL SPECIFICATIONS ARE SUBJECT TO CHANGE WITHOUT NOTICE AT ANY TIME
2. CUSTOMER OUTLINE DRAWING FOR REFERENCE ONLY

## FUGP620



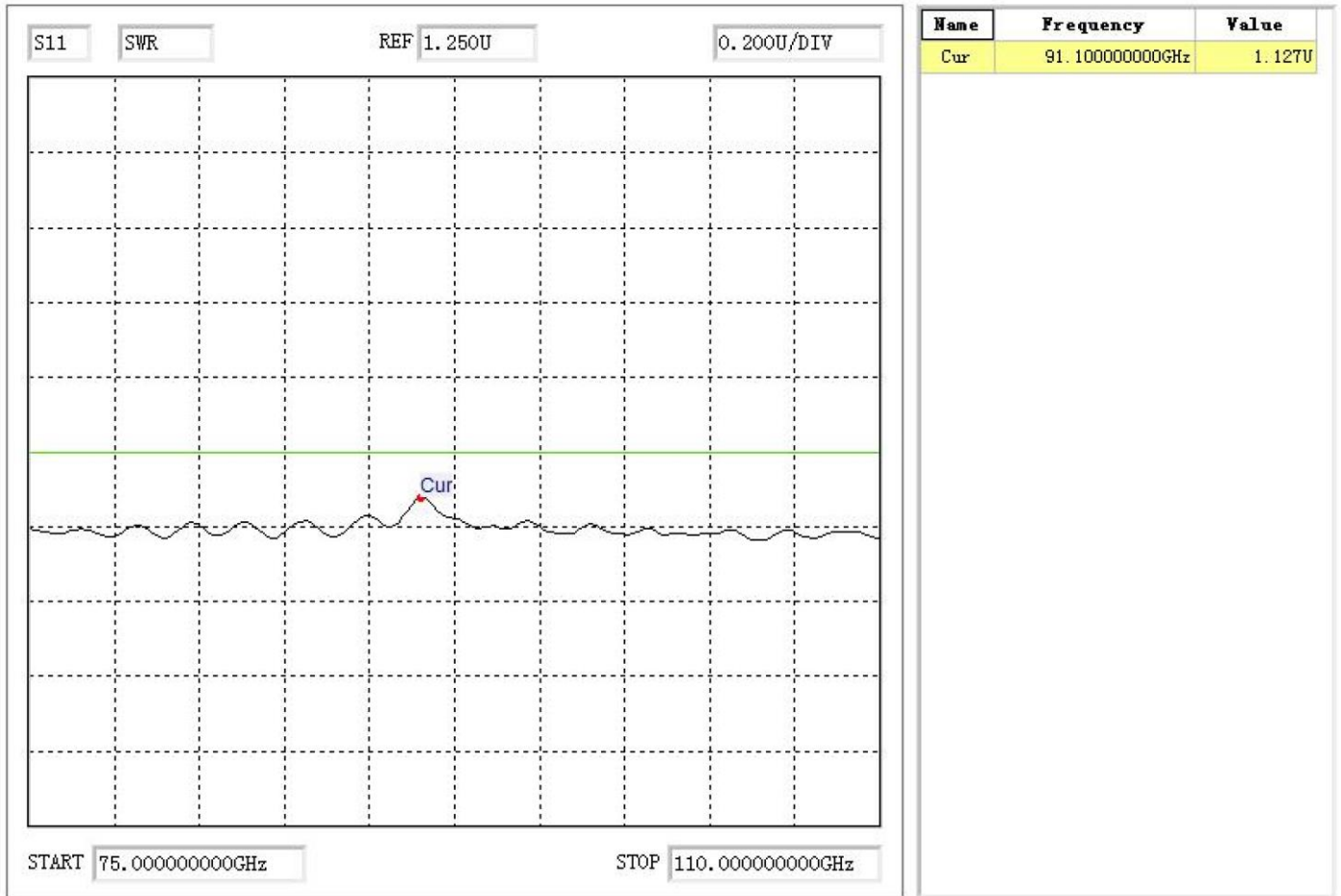
## FUGP900



**NOTES:**

1. ALL SPECIFICATIONS ARE SUBJECT TO CHANGE WITHOUT NOTICE AT ANY TIME
2. CUSTOMER OUTLINE DRAWING FOR REFERENCE ONLY

## Typical Test Report



NOTES:

1. ALL SPECIFICATIONS ARE SUBJECT TO CHANGE WITHOUT NOTICE AT ANY TIME
2. CUSTOMER OUTLINE DRAWING FOR REFERENCE ONLY