

WAVEGUIDE TERMINATION

WR12

Features

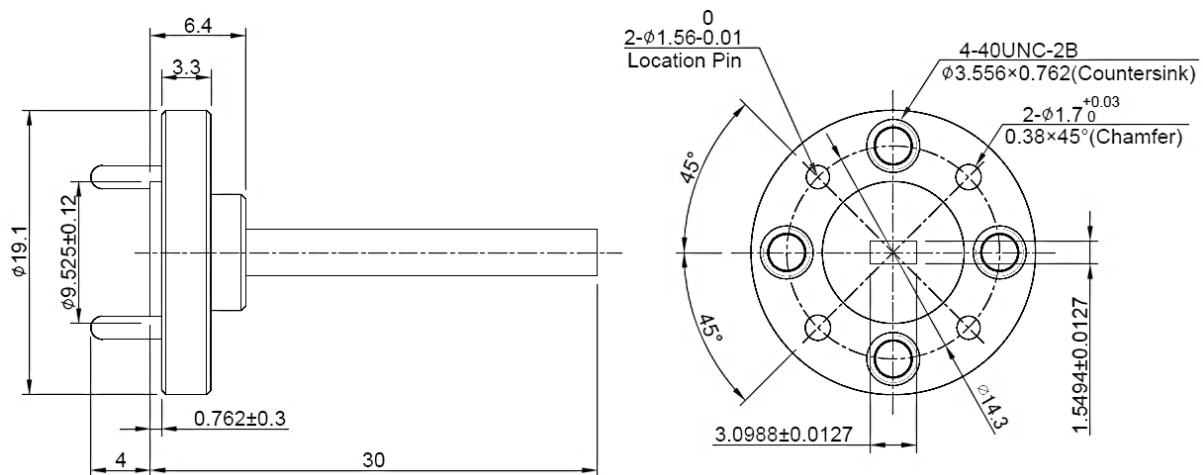
- ✓ Frequency Range: 60.5-91.9GHz
- ✓ WR12 waveguide design, connect to UG-387/U Mod
- ✓ Full Waveguide Band Coverage

Specifications

PART NUMBER	MWTR9005
DESCRIPTION	WR12, 60.5-91.9GHz Waveguide Termination, Handling Power 0.5W
ELECTRICAL	MATERIALS
FREQUENCY : 60.5-91.9GHZ WAVEGUIDE: WR12 VSWR: 1.15:1 MAX. FLANGE: UG-387/U POWER HANDLING: 0.5 W (CW)	BODY: BRASS, COPPER FINISH: GOLD PLATED

Tolerance=±0.5mm

Outline Drawing (Unit: mm)



NOTES:

1. ALL SPECIFICATIONS ARE SUBJECT TO CHANGE WITHOUT NOTICE AT ANY TIME
2. CUSTOMER OUTLINE DRAWING FOR REFERENCE ONLY

