

WAVEGUIDE TERMINATION

WR51

Features

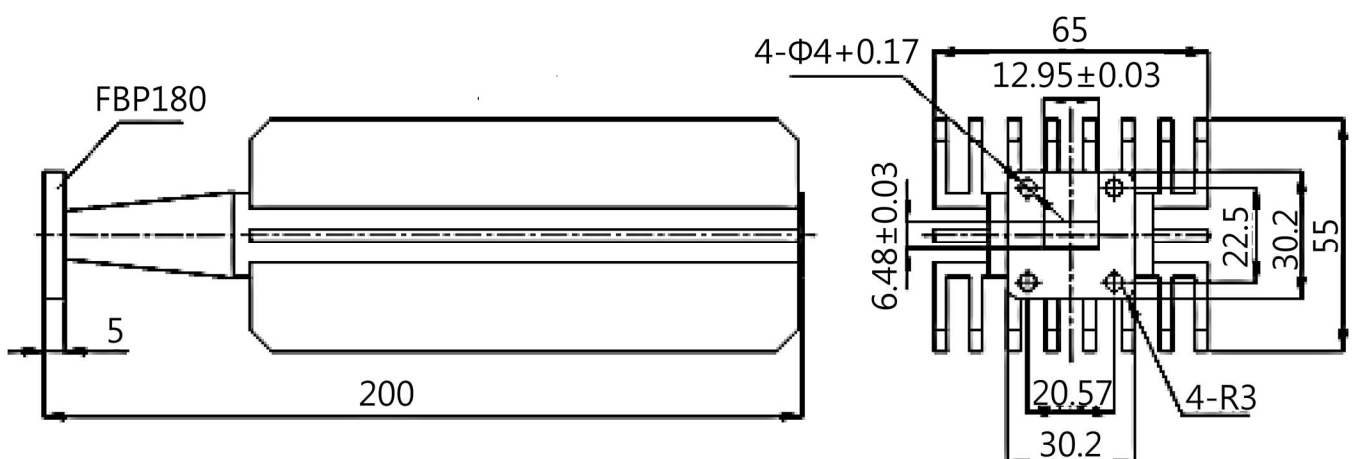
- ✓ Frequency Range: 14.5-22GHz
- ✓ WR51 waveguide design
- ✓ High Performance

Specifications

PART NUMBER	MWTR9004
DESCRIPTION	WR51, 14.5-22GHz Waveguide Termination, 250W
ELECTRICAL	MATERIALS
FREQUENCY : 14.5-22GHz WAVEGUIDE: WR51 VSWR: 1.25:1 MAX. FLANGE: FBP180 POWER HANDLING: 250W MAX.	BODY: ALUMINUM INSIDE FINISH: CHRIMATE CONVERSION OUTSIDE FINISH: CORROSION WITH GREY PAINT TEMPERATURE RANGE:-40°C - +70°C

Tolerance:±0.3mm

Outline Drawing (Unit: mm)



NOTES:

1. ALL SPECIFICATIONS ARE SUBJECT TO CHANGE WITHOUT NOTICE AT ANY TIME
2. CUSTOMER OUTLINE DRAWING FOR REFERENCE ONLY

