

# WAVEGUIDE ROTARY JOINTS

# WR-284

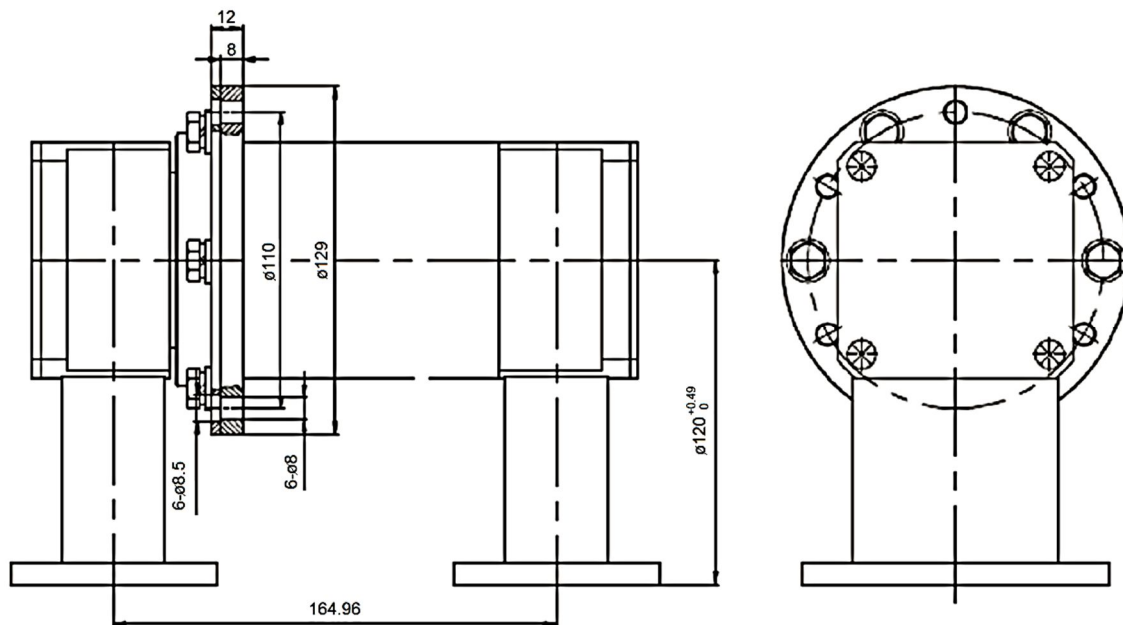
## Feature

✓ Frequency: 2.756-2.956GHz

## Specifications

<b>PART NUMBER</b>	<b>MWR8111</b>
<b>DESCRIPTION</b>	WR-284, 2.756-2.956GHz, Waveguide Rotary Joints
<b>ELECTICAL</b>	<b>MATERIALS</b>
FREQUENCY : 2.756-2.956GHz WAVEGUIDE: WR284 FLANGE TYPE: FDM32(Grooved) VSWR: 1.30:1 MAX INSERTION LOSS: 0.3dB POWER HANDLING: Peak: 5kW / Avg.: 2kW(CW)	COOPER / BRASS

## Outline Drawing (Unit: mm)



### NOTES:

1. ALL SPECIFICATIONS ARE SUBJECT TO CHANGE WITHOUT NOTICE AT ANY TIME
2. CUSTOMER OUTLINE DRAWING FOR REFERENCE ONLY

