

WAVEGUIDE PHASE SHIFTER

WR28

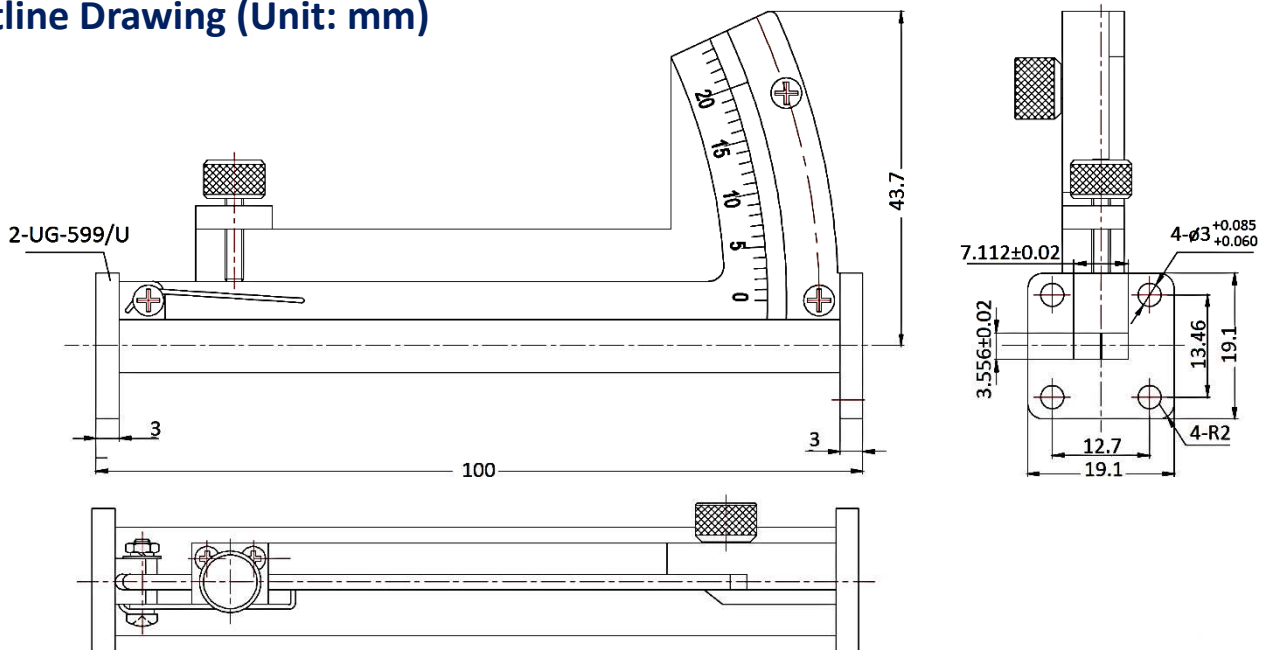
Features

- ✓ Frequency Range :34- 36GHz
- ✓ WR-28 waveguide design, connect to UG-599/U flange
- ✓ Customer specify center frequency and bandwidth

Specifications

PART NUMBER	MWR2071
DESCRIPTION	WR28 20dB Waveguide Phase Shifter, 34-36GHz
ELECTRICAL	MATERIALS
FREQUENCY : 34-36GHz WAVEGUIDE: WR28 VSWR: 1.30:1 Max. INSERTION LOSS: 0.5dB Max. FLANGE: UG-599/U ISOLATION: 20dB Min. PHASE SHIFT RANGE: 0-180° POWER HANDING: 0.5W	BODY: COPPER TEMP RANGE: -40°C~+80°C

Outline Drawing (Unit: mm)



NOTES:

1. ALL SPECIFICATIONS ARE SUBJECT TO CHANGE WITHOUT NOTICE AT ANY TIME
2. CUSTOMER OUTLINE DRAWING FOR REFERENCE ONLY

