

WAVEGUIDE DETECTORS

WR15
50GHz-75GHz

Features

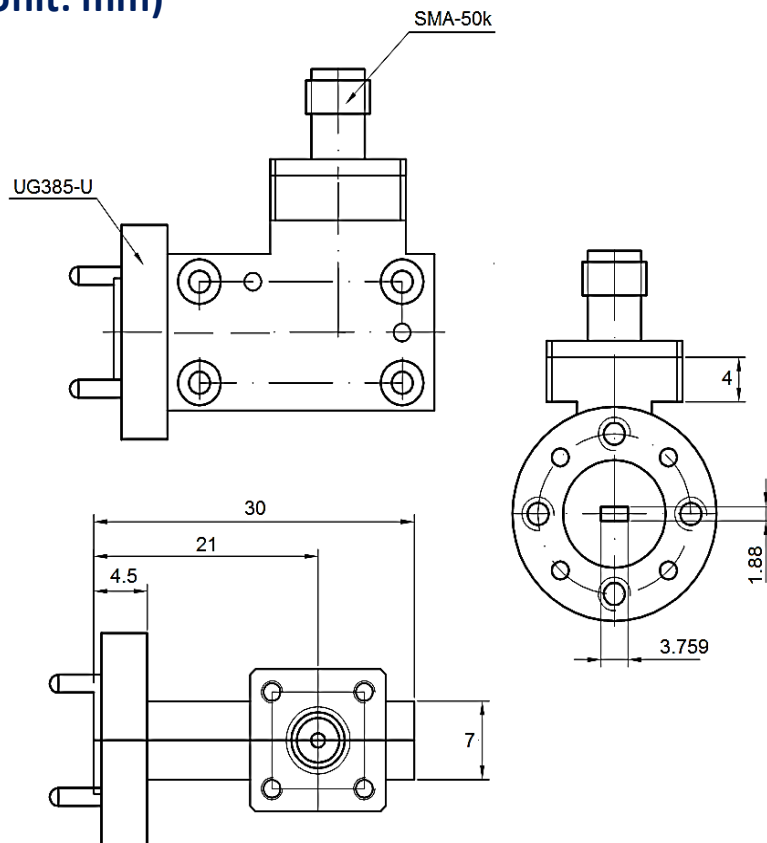
- ✓ Frequency Range:50-75GHz
- ✓ WR15 interface
- ✓ Excellent sensitivity performance



Specifications

PART NUMBER	FREQUENCY	SENSITIVITY (mV/1mW)	ANTI-BURNING POWER	WG	RESPONSE SPEED	CONNECTOR
MWD1730	50GHz-75GHz	≥ 50	25 mW	WR15	2μs	SMA

Outline Drawing (Unit: mm)



NOTES:
1. ALL SPECIFICATIONS ARE SUBJECT TO CHANGE WITHOUT NOTICE AT ANY TIME
2. CUSTOMER OUTLINE DRAWING FOR REFERENCE ONLY