

WAVEGUIDE COUPLER

8.2-12.4GHZ
WR90

Features

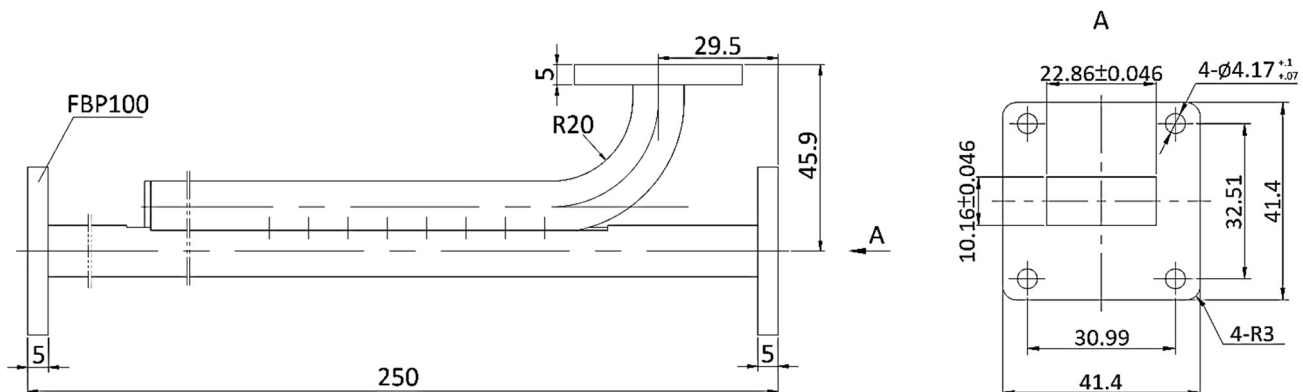
- ✓ Frequency Range: 8.2-12.4GHz
- ✓ WR90 waveguide design, connect to UBR100 Mod
- ✓ Customer specify center frequency and bandwidth

Specifications

PART NUMBER	MWCU9001-40
DESCRIPTION	WR90 40dB Waveguide Coupler, 8.2-12.4GHz
ELECTRICAL	MATERIALS
FREQUENCY : 8.2-12.4GHz WAVEGUIDE: WR90 VSWR: 1.10:1 (MAIN LINE) FLANGE TYPE: UBR100 COUPLING: 40±1 dB FREQUENCY SENSITIVITY: ±1.5 dB DIRECTIVITY: 25dB MIN HANDLING POWER:220W(AVG.), 190kW (PEAK)	BODY: COPPER/BRASS INSIDE FINISH: SILVER PLATING OUTSIDE FINISH: ANTICORROSION BLACK PAINT TEMPERATURE RANGE: -30°C~ +60°C

Tolerance:±0.2mm

Outline Drawing (Unit: mm)



NOTES:

1. ALL SPECIFICATIONS ARE SUBJECT TO CHANGE WITHOUT NOTICE AT ANY TIME
2. CUSTOMER OUTLINE DRAWING FOR REFERENCE ONLY

