

STANDARD GAIN HORN ANTENNA

WR12

Features

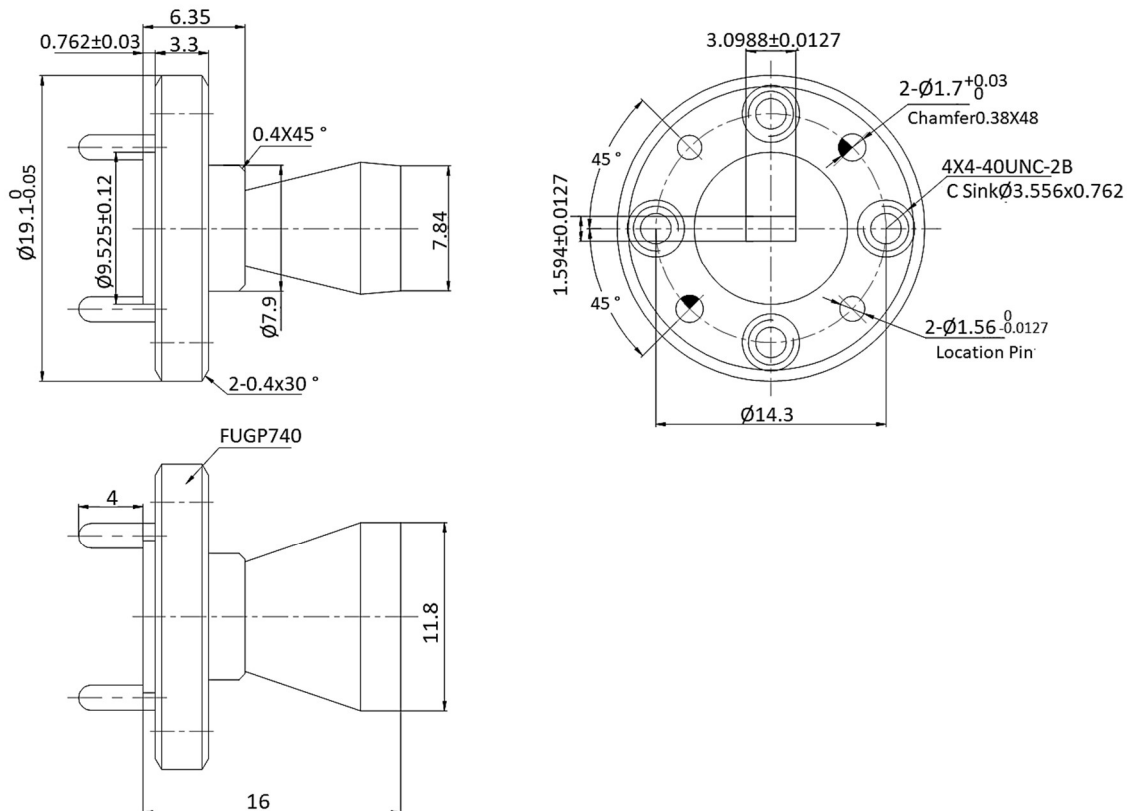
- ✓ Frequency: 60.5-91.9GHz
- ✓ WR12 Interface
- ✓ Low VSWR

Specifications

PART NUMBER	MWA1102
DESCRIPTION	WR12, 15dB Gain,60.5-91.9GHz, Standard Gain Horn Antenna
ELECTRICAL	
FREQUENCY : 60.5-91.9GHz WAVEGUIDE: WR12 VSWR: 1.5:1 MAX. FLANGE TYPE: FUGP740(UG387/U) GAIN: 15 dB	
MATERIALS	
MATERIAL: COPPER/BRASS INSIDE FINISH: GOLD PLATING	

Tolerance: X= ±0.5

Outline Drawing (Unit: mm)



- NOTES:
1. ALL SPECIFICATIONS ARE SUBJECT TO CHANGE WITHOUT NOTICE AT ANY TIME
 2. CUSTOMER OUTLINE DRAWING FOR REFERENCE ONLY

