

COAXIAL SWITCH

MVE9817

SP8T DC-40GHz
LATCHING/TTL

Features

- ✓ Frequency up to 40 GHz
- ✓ Low Insertion Loss
- ✓ High Life Cycle

SPECIFICATIONS

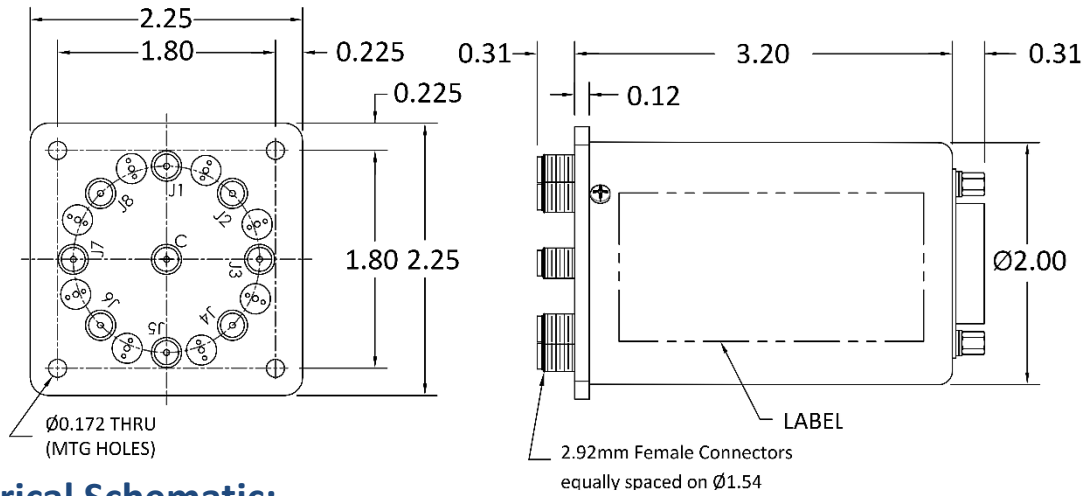
RF CHARACTERISTICS					
FREQUENCY RANGE	0-6GHz	6-12GHz	12-18GHz	18-26.5GHz	26.5-40GHz
VSWR MAX.	1.20:1	1.30:1	1.50:1	2.00:1	2.20:1
INSERTION LOSS MAX.	0.30dB	0.40dB	0.6dB	0.8dB	1.5dB
ISOLATION MIN.	80dB	70dB	70dB	70dB	70dB
ELECTRICAL CHARACTERISTICS					
ACTUATOR	Latching / TTL				
ACTUATOR VOLTAGE(V)	DC 24V				
ACTUATOR CURRENT(MA)	1200mA/24V (RESET) 150mA/24V (SET)				
MECHANICAL CHARACTERISTICS					
CONNECTORS	2.92mm Female				
LIFE CYCLES	2,000,000				
SWITHCING TIME	<20ms				
DIMENSIONS	2.25 × 2.25 × 3.20mm				
ENVIRONMENTAL CHARACTERISTICS					
OPERATING TEMPERATURE	-25°C~+65°C				

NOTES:

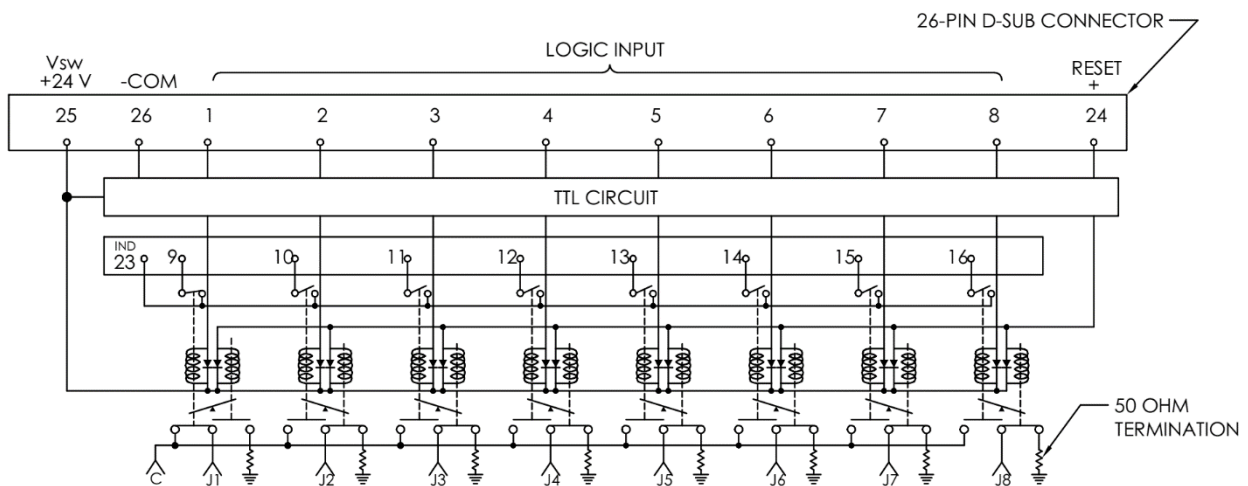
1. ALL SPECIFICATIONS ARE SUBJECT TO CHANGE WITHOUT NOTICE AT ANY TIME
2. CUSTOMER OUTLINE DRAWING FOR REFERENCE ONLY

Tolerance : .XX= ±0.10 .XXX= ±0.005

Outline Drawing: (mm)



Electrical Schematic:



TRUTH TABLE/PIN ASSIGNMENT :

PIN ASSIGNMENT

TERMINALS PIN ASSIGNMENT (LOGIC)	RF PATH								INDICATOR							
	J1	J2	J3	J4	J5	J6	J7	J8	9	10	11	12	13	14	15	16
1 ("1")	ON	OFF	OFF	OFF	OFF	OFF	OFF	OFF	ON	OFF	OFF	OFF	OFF	OFF	OFF	OFF
2 ("1")	OFF	ON	OFF	OFF	OFF	OFF	OFF	OFF	ON	OFF	OFF	OFF	OFF	OFF	OFF	OFF
3 ("1")	OFF	OFF	ON	OFF	OFF	OFF	OFF	OFF	ON	OFF	OFF	OFF	OFF	OFF	OFF	OFF
4 ("1")	OFF	OFF	OFF	ON	OFF	OFF	OFF	OFF	ON	OFF	OFF	OFF	OFF	OFF	OFF	OFF
5 ("1")	OFF	OFF	OFF	OFF	ON	OFF	OFF	OFF	ON	OFF	OFF	OFF	OFF	OFF	OFF	OFF
6 ("1")	OFF	OFF	OFF	OFF	OFF	ON	OFF	OFF	ON	OFF	OFF	OFF	OFF	OFF	OFF	OFF
7 ("1")	OFF	OFF	OFF	OFF	OFF	OFF	ON	OFF	ON	OFF	OFF	OFF	OFF	OFF	ON	OFF
8 ("1")	OFF	OFF	OFF	OFF	OFF	OFF	OFF	ON	OFF	OFF	OFF	OFF	OFF	OFF	OFF	ON
24 ("1")	ALL OFF (Open all paths)															

PIN26. -COM
PIN25. Vsw +24VDC
PIN23. IND COM

NOTES:

- ALL SPECIFICATIONS ARE SUBJECT TO CHANGE WITHOUT NOTICE AT ANY TIME
- CUSTOMER OUTLINE DRAWING FOR REFERENCE ONLY