

COAXIAL SWITCH

SPDT FAILSAFE FUNCTION

Features

- ✓ Frequency up to 18 GHz
- ✓ Low Insertion Loss
- ✓ High Life Cycles

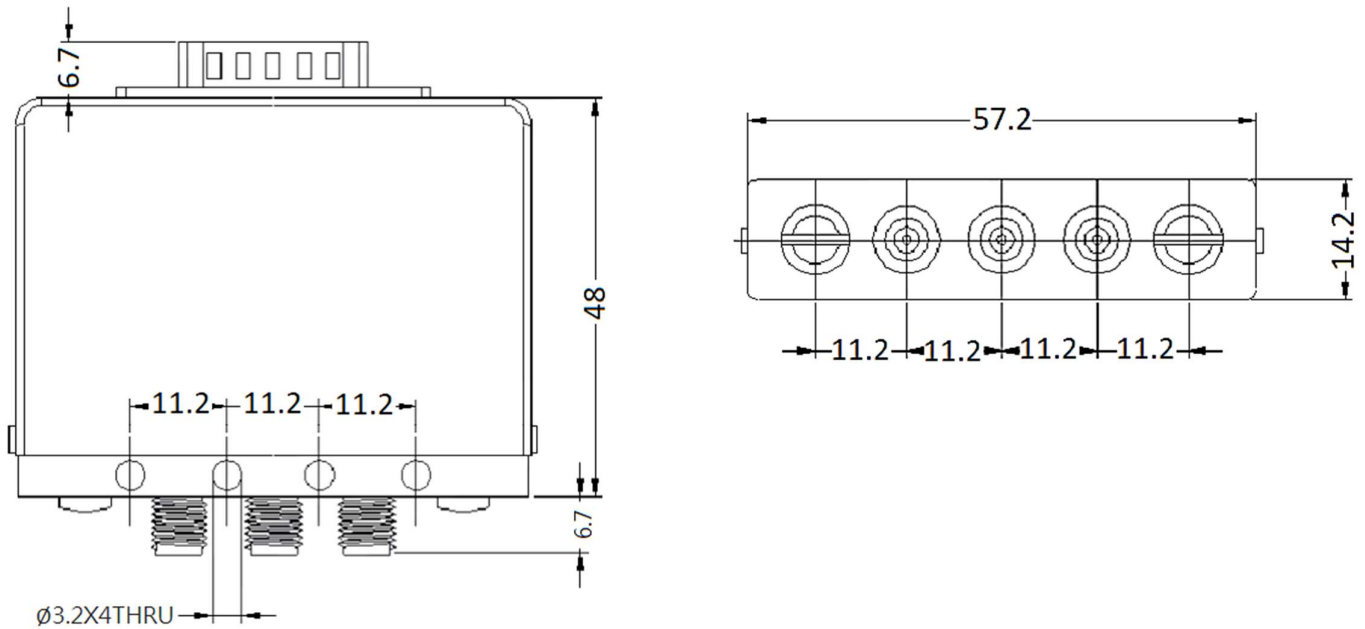


PART NUMBER	PART NUMBER	PART NUMBER
MVE9215-12	MVE9215-24	MVE9215-28
DV 12V	DC 24V	DC 28V

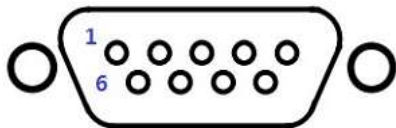
SPECIFICATIONS

RF CHARACTERISTICS		
FREQUENCY RANGE	DC-6GHz	6-18GHz
VSWR MAX.	1.20:1	1.40:1
INSERTION LOSS MAX.	0.20dB	0.4dB
ISOLATION MIN.	70dB	60dB
AVERAGE POWER AT COOL SWITCHING	50WATTS	
ELECTRICAL CHARACTERISTICS		
ACTUATOR	Failsafe	
COIL CURRENT	360mA/DC 12V	
	180mA/DC 24V Option	
	160mA/DC 28V Option	
MECHANICAL CHARACTERISTICS		
CONNECTORS	SMA Female	
LIFE CYCLES	5,000,000	
SWITCHING TIME MAX.	15ms	
SHOCK (non-operating)	50G, 1/2 Sine, 12msec	
WEIGHT	160g MAX.	
ENVIRONMENTAL CHARACTERISTICS		
OPERATING TEMPERATURE	-25°C -+65°C	

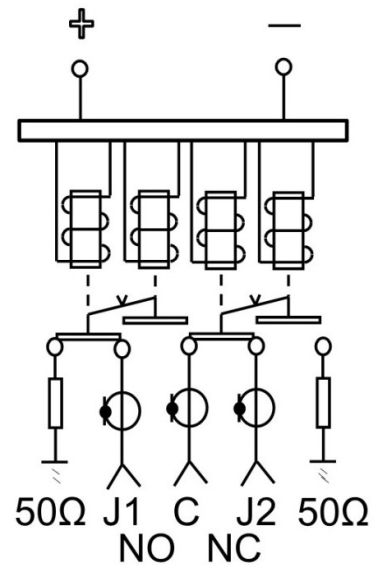
Outline Drawing: (mm)



Electrical Schematic:



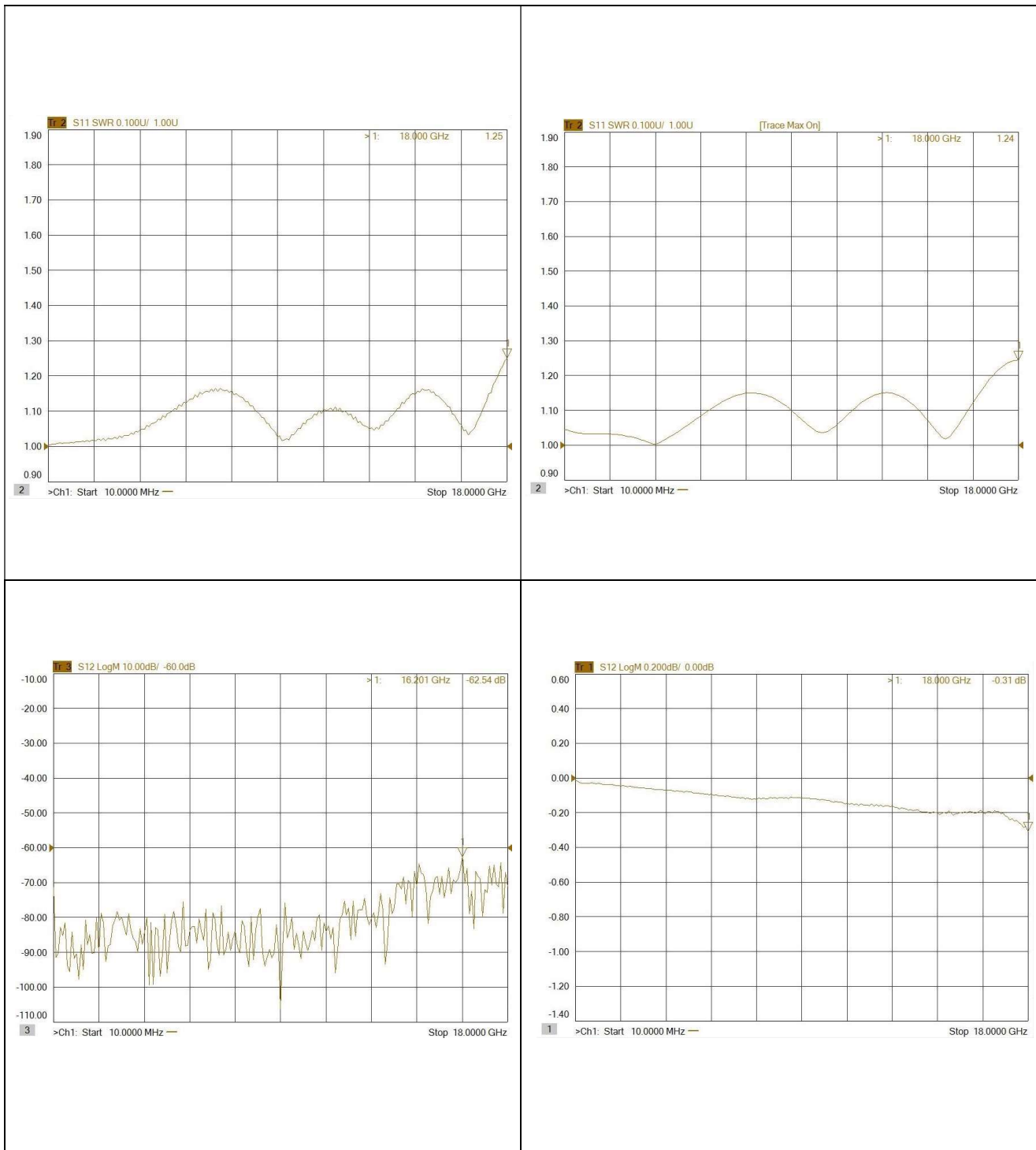
PinNo.	Latching TTL
1	V1 (J1-COM)
2	Unused
3	COM(-)
4	Unused
5	Ind.1
6	Ind.2
7	COM(-)Ind.
8	Unused
9	+VDC/+VDCI



NOTES:
1. ALL SPECIFICATIONS ARE SUBJECT TO CHANGE WITHOUT NOTICE AT ANY TIME
2. CUSTOMER OUTLINE DRAWING FOR REFERENCE ONLY



Typical Test Result



NOTES:

1. ALL SPECIFICATIONS ARE SUBJECT TO CHANGE WITHOUT NOTICE AT ANY TIME
2. CUSTOMER OUTLINE DRAWING FOR REFERENCE ONLY

