

COAXIAL SWITCH

SPDT SMA FAILSAFE FUNCTION

Features

- ✓ Frequency up to 26.5GHz
- ✓ Low Insertion Loss
- ✓ High Isolation



P/N VOLTAGE	8GHz	18GHz	26.5GHz
DC 12V	MVE9213-12-8	MVE9213	MVE9213-12-26
DC 24V	MVE9213-24-8	MVE9213-24	MVE9213-24-26
DC 28V	MVE9213-28-8	MVE9213-28	MVE9213-28-26

SPECIFICATIONS

RF CHARACTERISTICS						
FREQUENCY RANGE	0-2GHz	2-4GHz	4-8GHz	8-12GHz	12-18GHz	18-26.5GHz
VSWR MAX.	1.15:1	1.20:1	1.30:1	1.40:1	1.50:1	1.60:1
INSERTION LOSS MAX.	0.20dB	0.20dB	0.25dB	0.35dB	0.40dB	0.6dB
ISOLATION MIN.	90dB	80dB	75dB	65dB	60dB	55dB
AVG POWER AT COOL SWITCHING	50W	40W	30W	20W	10W	5W
ELECTRICAL CHARACTERISTICS						
ACTUATOR	Fail-safe					
COIL CURRENT	150mA/DC 12V 80mA/DC 24V Option 70mA/DC 28V Option					
MECHANICAL CHARACTERISTICS						
CONNECTORS	SMA Female					
LIFE CYCLES	1,000,000					
SWITCHING TIME	<20ms					
WEIGHT	38g					
ENVIRONMENTAL CHARACTERISTICS						
TEMPERATURE RANGE	-20°C ~ +65°C					

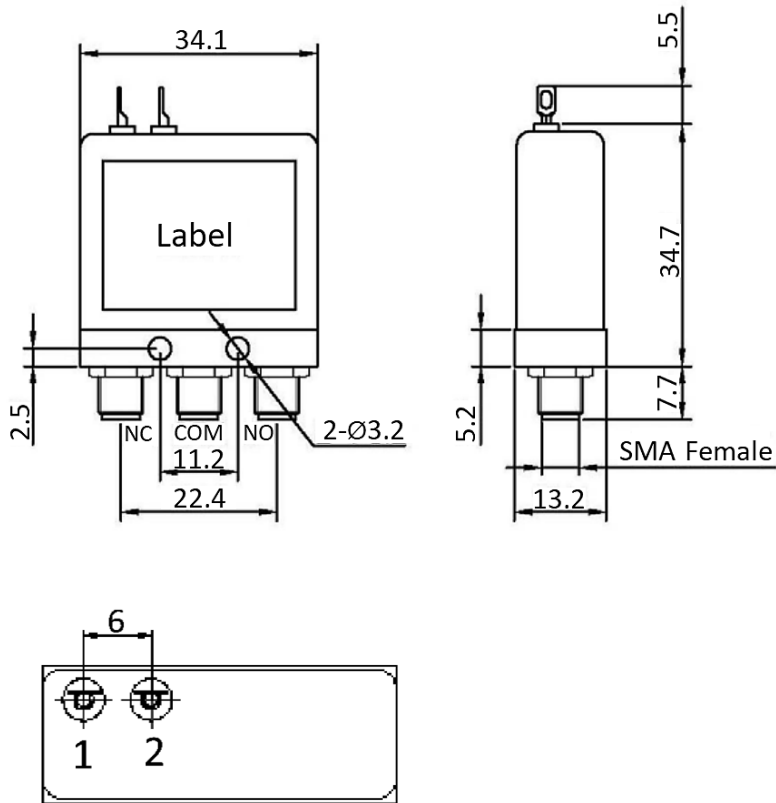
NOTES:

1. ALL SPECIFICATIONS ARE SUBJECT TO CHANGE WITHOUT NOTICE AT ANY TIME
2. CUSTOMER OUTLINE DRAWING FOR REFERENCE ONLY

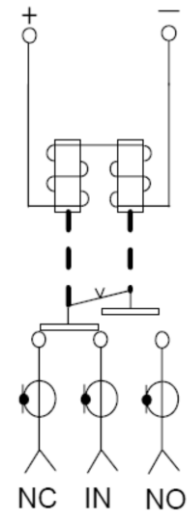


Tolerance: ±5%

Outline Drawing (Unit: mm)



Electrical Schematic:



Logic Figure:

RF Interface\Control	1(+)	2(-)
COM-NC ON	0V	GND
COM-NO ON	+12V	GND

NOTES:

1. ALL SPECIFICATIONS ARE SUBJECT TO CHANGE WITHOUT NOTICE AT ANY TIME
2. CUSTOMER OUTLINE DRAWING FOR REFERENCE ONL