

ABSORPTIVE SWITCH

MVE9161

SP16T 0.001-8GHz
USB/TTL Control

Features

- ✓ Wide Band Operation 0.1-8GHz
- ✓ High Isolation
- ✓ TTL Compatible driver include

SPECIFICATIONS

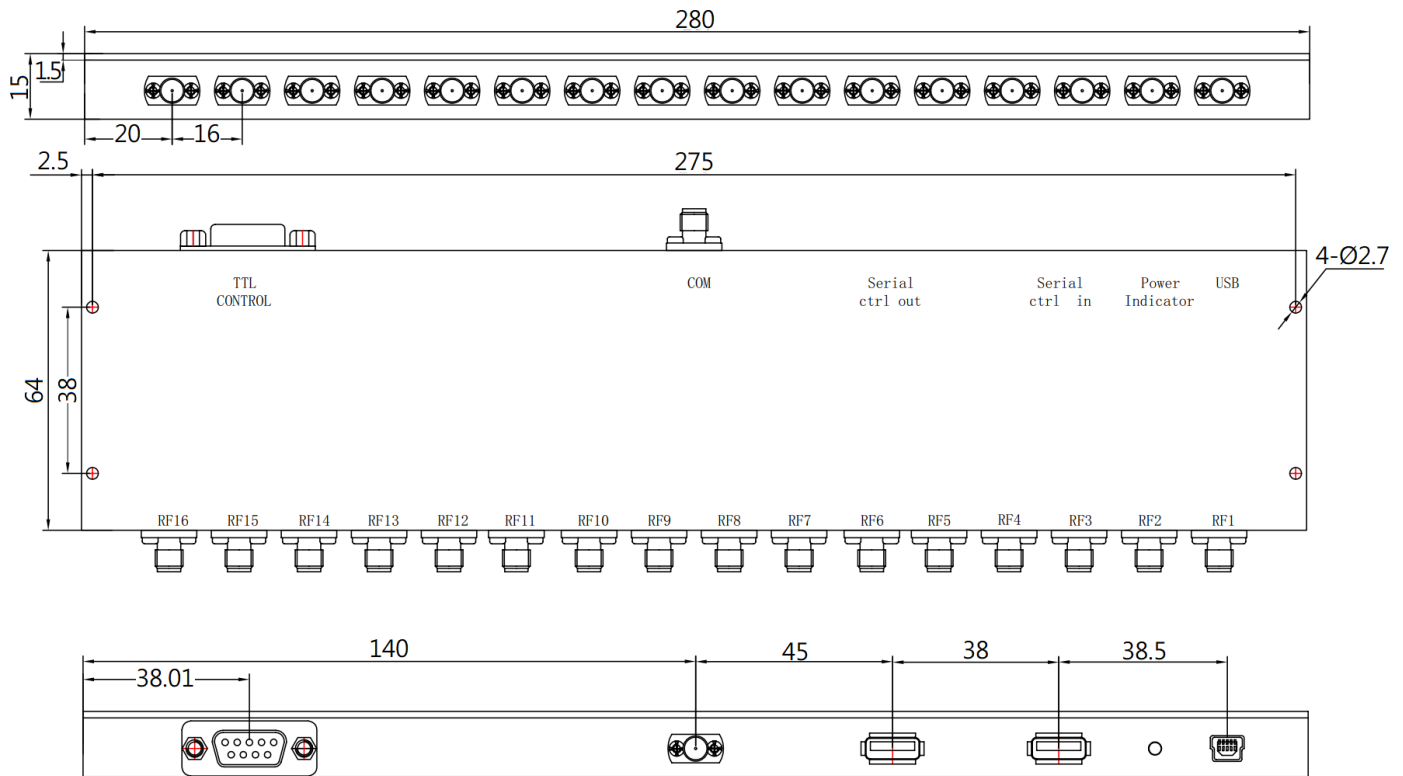
RF CHARACTERISTICS	
FREQUENCY RANGE	0.001-8GHz
VSWR MAX	1.5:1
INSERTION LOSS MAX.	6.5dB
ISOLATION MIN.	80dB
RF INPUT POWER	0.5W
ELECTRICAL CHARACTERISTICS	
SWITCHING SPEED MAX.	150nS
CHANNEL AMPLITUDE CONSISTENCY	$\leq \pm 0.4\text{dB}$
CHANNEL PHASE CONSISTENCY	$\leq \pm 3^\circ$
ACTUATOR VOLTAGE(V)	DC +5V
MECHANICAL CHARACTERISTICS	
CONNECTORS	SMA Female
ENVIRONMENT SPECIFICTIONS	
OPERATIONAL TEMPERATURE	-40°C~+70°C

NOTES:

1. ALL SPECIFICATIONS ARE SUBJECT TO CHANGE WITHOUT NOTICE AT ANY TIME
2. CUSTOMER OUTLINE DRAWING FOR REFERENCE ONLY

Tolerance: X= ±5%

Outline Drawing (Unit: mm)



Pin Connections

Pin Number	Function
1	Vcc (5.0~6.0V)
2	GND
3	D0
4	D1
5	D2
6	D3
7	D4
8	Not Connected
9	Not Connected

USB and D-SUB PORT

Parameter	port	MIN.	TYP.	MAX.	unit
Transition Time			5	9.5	us
Minimum dwell time			15		us
Switch time(USB)			2		ms
Switch time(LVTTL)	USB or D-Sub port		12		us
Supply voltage (Vcc)		4.75	5	5.25	VDC
Supply current (Icc)			60	90	mA
Current pass-through				500	

NOTES:

1. ALL SPECIFICATIONS ARE SUBJECT TO CHANGE WITHOUT NOTICE AT ANY TIME
2. CUSTOMER OUTLINE DRAWING FOR REFERENCE ONLY

Control Voltages for LVTTTL Control

Parameter		Min	Typ	Max	Units
Control input	Low	0	-	0.8	V
	High	2	-	3.3	

Port	Control Bits				
	D0	D1	D2	D3	D4
RFC-RF1	High	Low	Low	Low	Low
RFC-RF2	Low	High	Low	Low	Low
RFC-RF3	High	High	Low	Low	Low
RFC-RF4	Low	Low	High	Low	Low
RFC-RF5	High	Low	High	Low	Low
RFC-RF6	Low	High	High	Low	Low
RFC-RF7	High	High	High	Low	Low
RFC-RF8	Low	Low	Low	High	Low
RFC-RF9	High	Low	Low	High	Low
RFC-RF10	Low	High	Low	High	Low
RFC-RF11	High	High	Low	High	Low
RFC-RF12	Low	Low	High	High	Low
RFC-RF13	High	Low	High	High	Low
RFC-RF14	Low	High	High	High	Low
RFC-RF15	High	High	High	High	Low
RFC-RF16	Low	Low	Low	Low	High
ALL OFF	Low	Low	Low	Low	Low

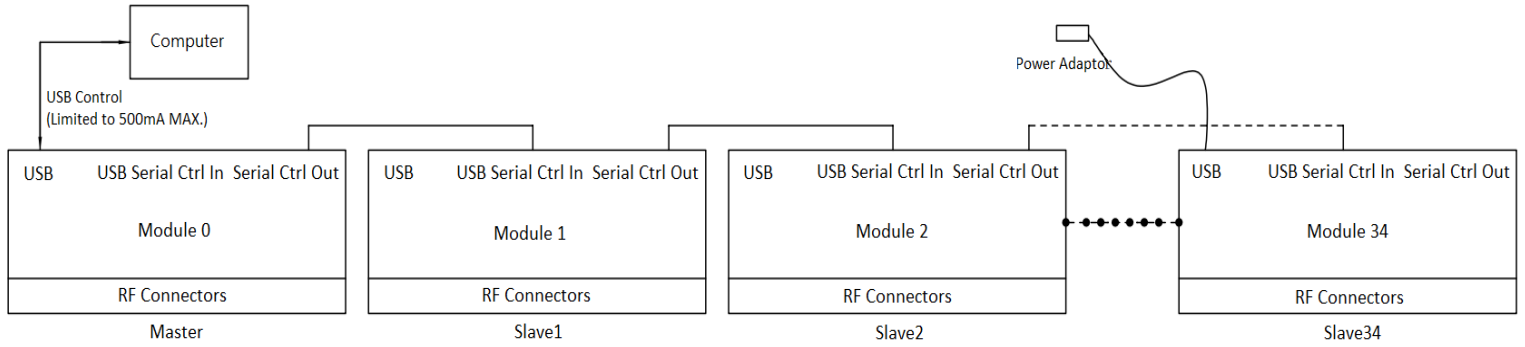
Note: "low = 0" : 0~0.8V, "High = 1" : 2.0~3.3V

NOTES:

1. ALL SPECIFICATIONS ARE SUBJECT TO CHANGE WITHOUT NOTICE AT ANY TIME
2. CUSTOMER OUTLINE DRAWING FOR REFERENCE ONLY

Typical Application

Using the computer software, it can control the switches online at the same time. This system can control 35 modules, based on the serial number and physical address of the device.



NOTES:
1. ALL SPECIFICATIONS ARE SUBJECT TO CHANGE WITHOUT NOTICE AT ANY TIME
2. CUSTOMER OUTLINE DRAWING FOR REFERENCE ONLY