

SWITCH

MVE9116-24T

DPDT
LATCHING

Features

- ✓ Frequency up to 20 GHz
- ✓ Low Insertion Loss
- ✓ High Life Cycles

SPECIFICATIONS:

RF CHARACTERISTICS	
Frequency Range	DC-20GHz
VSWR MAX.	1.5:1
Insertion Loss MAX.	0.5dB
Isolation MIN.	60dB
AVERAGE POWER AT COOL SWITCHING	30W
ELECTRICAL CHARACTERISTICS	
Actuator	Latching
Actuator voltage(V)	DC 24V/180mA
DRIVE VOLTAGE	0V
Impedance	50ohms
Switching Time	<15ms
MECHANICAL CHARACTERISTICS	
CONNECTORS	SMA Female
Actuator lifespan	2,000,000
WEIGHT	180g
ENVIRONMENTAL CHARACTERISTICS	
OPERATING TEMPERATURE	-30°C-+65°C
STORAGE TEMPERATURE	-40°C-+85°C

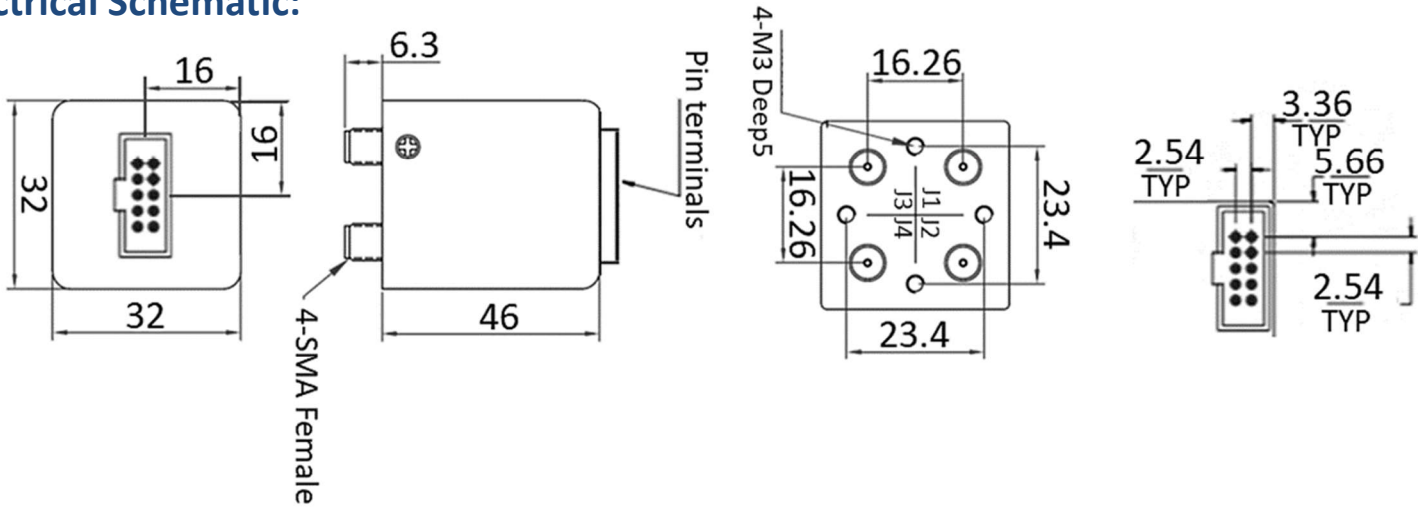
NOTES:

1. ALL SPECIFICATIONS ARE SUBJECT TO CHANGE WITHOUT NOTICE AT ANY TIME
2. CUSTOMER OUTLINE DRAWING FOR REFERENCE ONLY

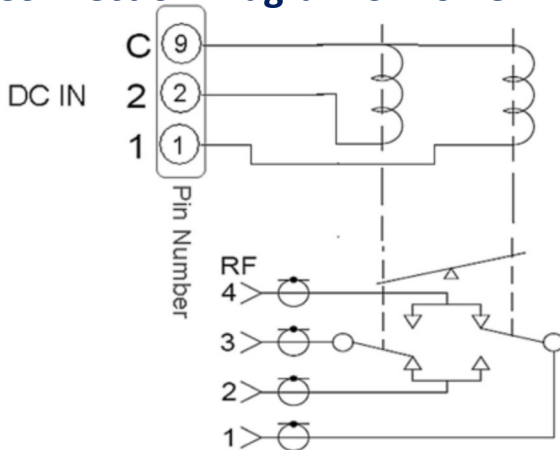
Tolerance: X= ±0.5

Outline Drawing (Unit: mm)

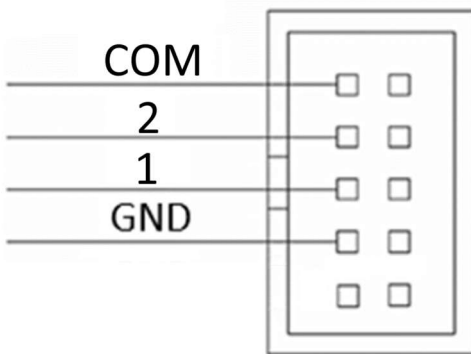
Electrical Schematic:



Connection Diagram of Power Line and Control Line:



Connection Diagram of Power Line and Control Line:



IN	CONTROL	DRIVE VOLTAGE(V)
1	COM	+24V
2	2	0V
3	1	
4	GND	/

**Remark: Empty pins are floating

NOTES:

1. ALL SPECIFICATIONS ARE SUBJECT TO CHANGE WITHOUT NOTICE AT ANY TIME
2. CUSTOMER OUTLINE DRAWING FOR REFERENCE ONL