

# SWITCH

## MVE9115

**DPDT**  
**FAILSAFE TTL**

### Features

- ✓ Frequency up to 40 GHz
- ✓ Low Insertion Loss
- ✓ High Life Cycles



### SPECIFICATIONS:

RF CHARACTERISTICS				
FREQUENCY RANGE	6GHz	18GHz	26GHz	40GHz
VSWR MAX.	1.20:1	1.40:1	1.70:1	1.80:1
INSERTION LOSS MAX.	0.20dB	0.40dB	0.70dB	0.90dB
ISOLATION MIN.	70dB	60dB	55dB	50dB
AVERAGE POWER AT COOL SWITCHING	5WATTS			
ELECTRICAL CHARACTERISTICS				
ACTUATOR	Failsafe TTL			
Actuator voltage(V)	DC 12V/380mA			
Impedance	50ohms			
Switching Time	<15ms			
MECHANICAL CHARACTERISTICS				
Housing	Stainless steel passivated			
Humidity	5%~85%			
Shock(nonoperating)	50G,1/2Sine,12msec			
Vibration(operating)	10GRMS,20-2000HZ			
CONNECTORS				
Actuator lifespan	2 million(MIN.)			
WEIGHT				
	180g			
ENVIRONMENTAL CHARACTERISTICS				
OPERATING TEMPERATURE	-25°C+80°C			
STORAGE TEMPERATURE	-55°C+85°C			

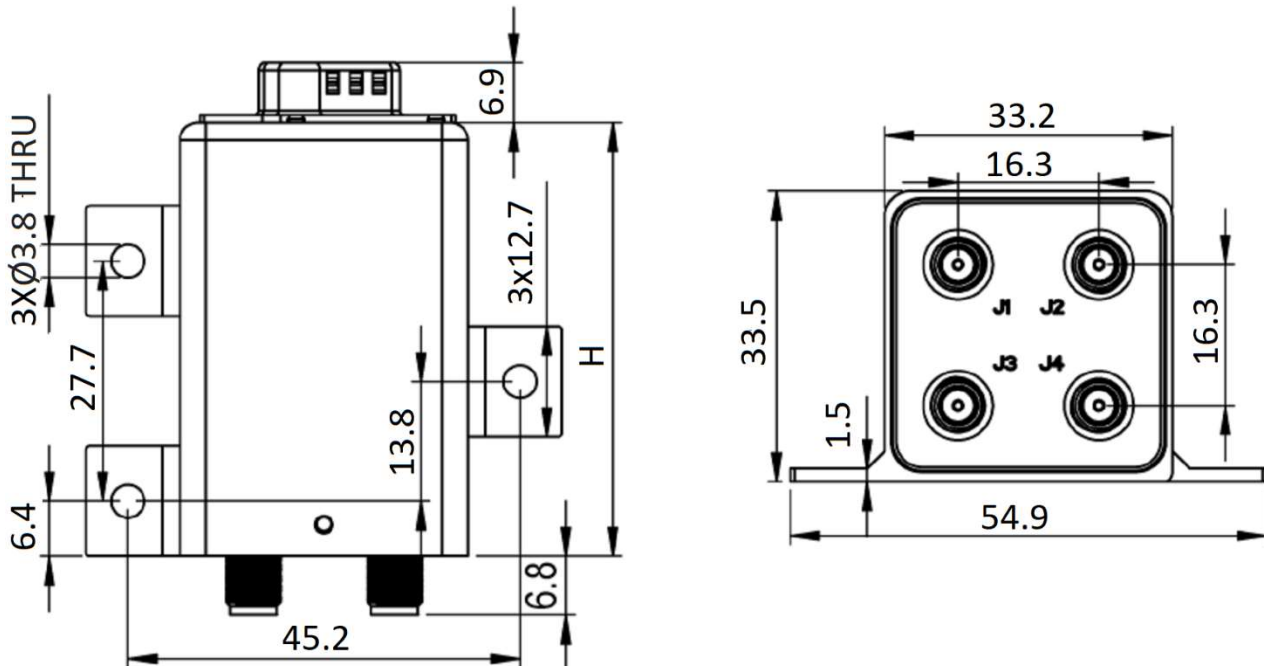
#### NOTES:

1. ALL SPECIFICATIONS ARE SUBJECT TO CHANGE WITHOUT NOTICE AT ANY TIME
2. CUSTOMER OUTLINE DRAWING FOR REFERENCE ONLY

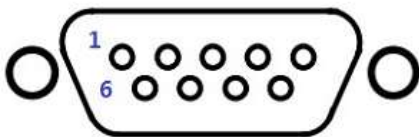


Tolerance: X= ±0.5

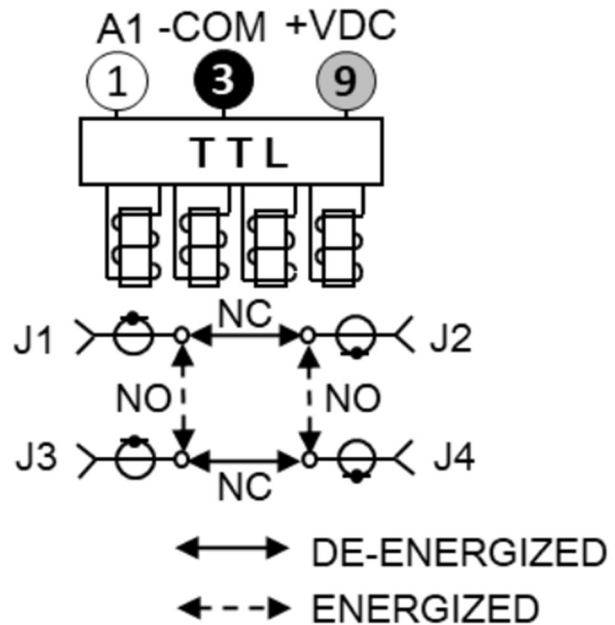
### Outline Drawing (Unit: mm)



### Electrical Schematic:



PinNo.	FailsafeTTL
1	T1 (NO:J1-J3;J2-J4)
2	Unused
3	COM(-)
4	Unused
5	Ind.1 (NO:J1-J3;J2-J4)
6	Ind.2 O:J1-J3;J2-J4)
7	COM(-)Ind.
8	Unused
9	+VDC/+VDCI

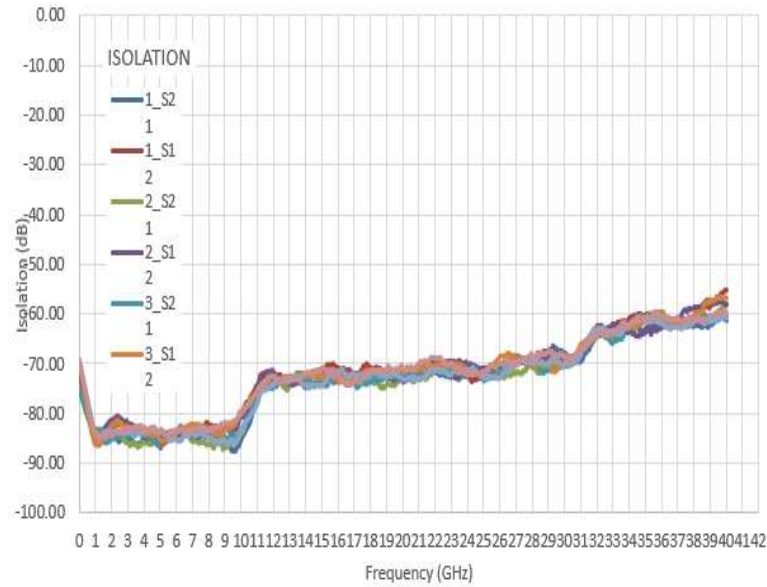
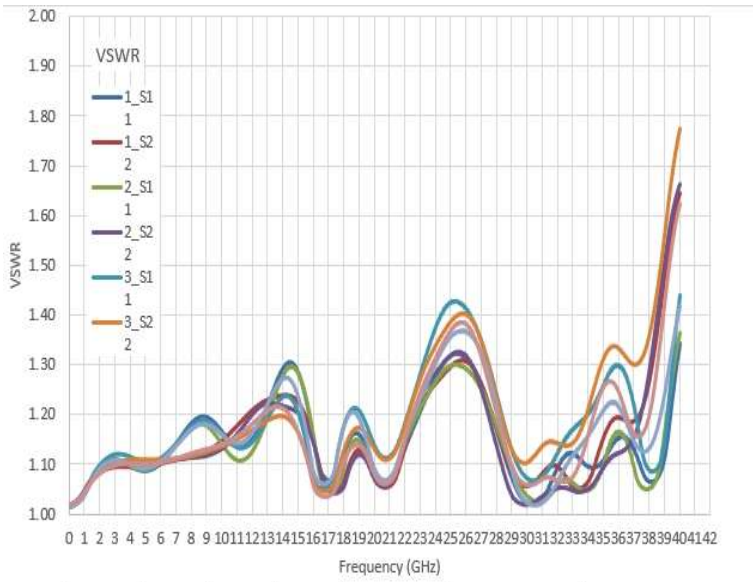
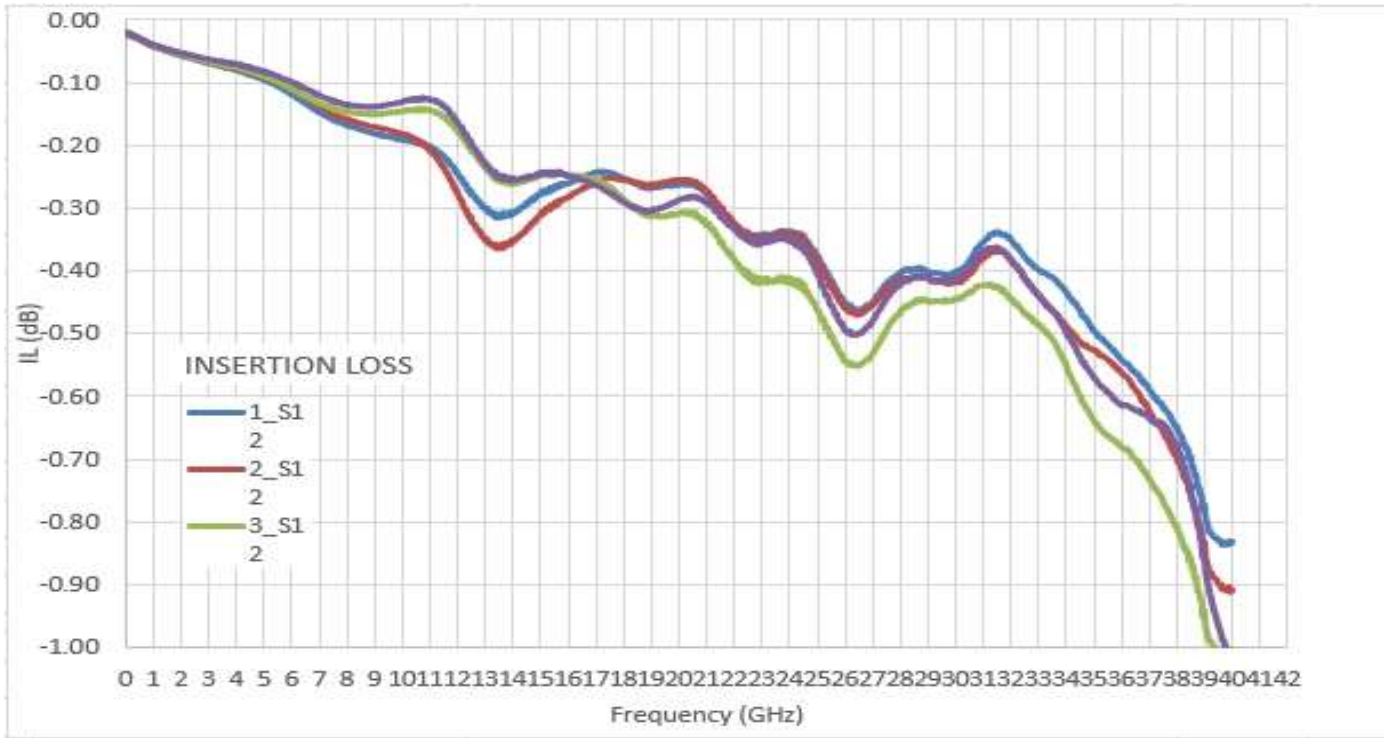


NOTES:

1. ALL SPECIFICATIONS ARE SUBJECT TO CHANGE WITHOUT NOTICE AT ANY TIME
2. CUSTOMER OUTLINE DRAWING FOR REFERENCE ONLY



## Typical Test Report



**NOTES:**

1. ALL SPECIFICATIONS ARE SUBJECT TO CHANGE WITHOUT NOTICE AT ANY TIME
2. CUSTOMER OUTLINE DRAWING FOR REFERENCE ONLY

