

# COAXIAL SWITCH

## MVE9114

# DPDT

## FAILSAFE FUNCTION

### FEATURES

- ✓ Frequency up to 3GHz
- ✓ Low Insertion Loss
- ✓ High Life Cycle

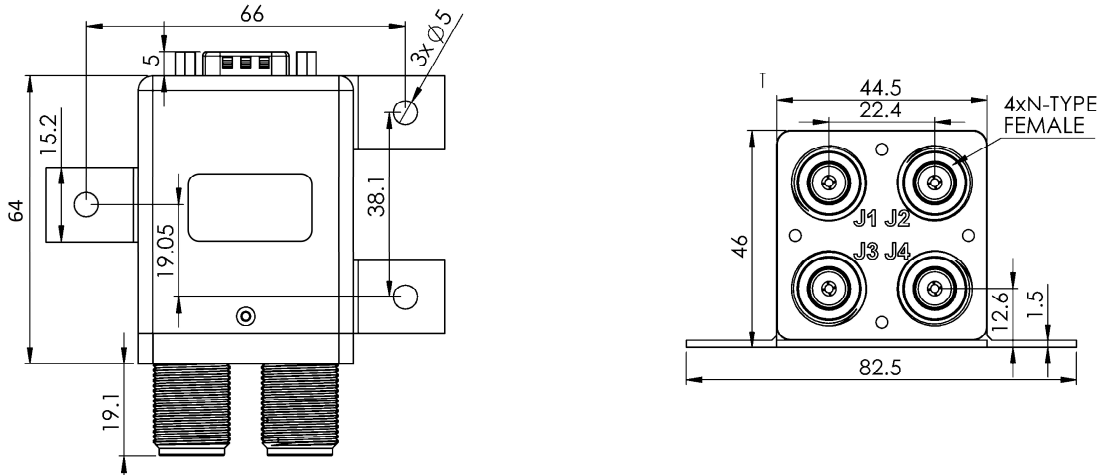
PART NUMBER	PART NUMBER
<b>MVE9114</b>	<b>MVE9114-24</b>
DC 12V	DC 24V

### SPECIFICATIONS

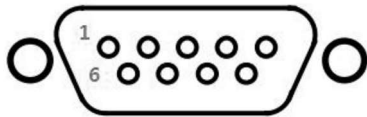
RF CHARACTERISTICS			
FREQUENCY RANGE	DC-1GHz	1-2GHz	2-3GHz
VSWR MAX.	1.15:1	1.20:1	1.25:1
INSERTION LOSS MAX.	0.15dB	0.20dB	0.25dB
ISOLATION MIN.	80dB	75dB	70dB
ELECTRICAL CHARACTERISTICS			
ACTUATOR	Failsafe		
ACTUATOR VOLTAGE(V)	DC 12V/550mA		
MECHANICAL CHARACTERISTICS			
CONNECTOR TYPE	N Female		
POWER INTERFACE	D-Sub		
ACTUATOR LIFESPAN	1,000,000		
SWITHCING TIME	<15ms		
POWER HANDLING	200W @ 3GHz		
ENVIRONMENTAL CHARACTERISTICS			
TEMPERATURE RANGE	-25°C-+65°C		

Tolerance:±0.5mm

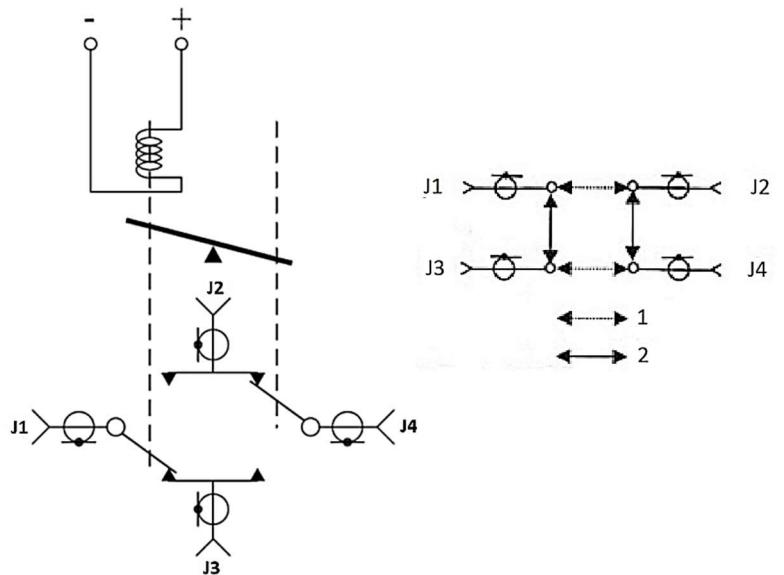
## OUTLINE DRAWING: (mm)



## SCHEMATIC DIAGRAM:



IN	CONTROL	DRIVE VOLTAGE(V)
1	1↔3 2↔4	/
2	/	/
3	GND	/
4	/	/
5	/	/
6	/	/
7	GND	/
8	/	/
9	+VDC	12V



### NOTES:

1. ALL SPECIFICATIONS ARE SUBJECT TO CHANGE WITHOUT NOTICE AT ANY TIME
2. CUSTOMER OUTLINE DRAWING FOR REFERENCE ONLY

