

POWER DIVIDER

5-8GHz
2WAY 90°

Feature

- ✓ Impedance :50ohm
- ✓ Low Insertion Loss
- ✓ High Isolation

Specifications

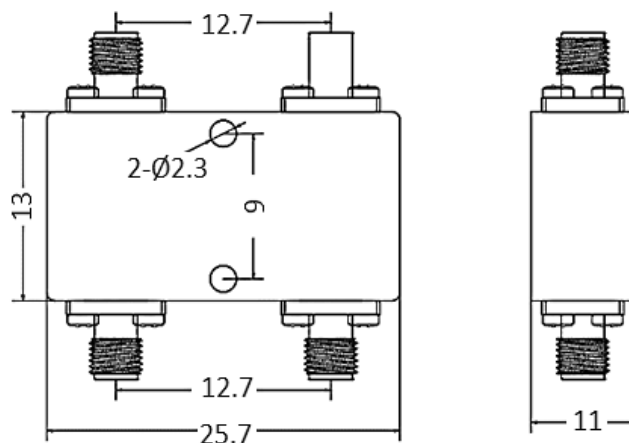
FREQUENCY RANGE: 5-8GHz
CONNECTOR TYPE: SMA FEMALE
OPERATION TEMPERATURE: -40°C TO +80°C



PART NUMBER	WAYS	INSERTION LOSS (MAX.)	AMPLITUDE UNBALANCE (MAX.)	ISOLATION (MIN.)	VSWR (MAX.)	PHASE BALANCE (MAX.)	POWER HANDLING(CW)
MVE8574	2WAY	0.5dB	±0.5dB	18dB	1.40:1	90±5°	10W (Forward) 1W (Reverse)

*Insertion Loss does not include 3 dB split loss.

Outline Drawing (Unit: mm)



NOTES:

1. ALL SPECIFICATIONS ARE SUBJECT TO CHANGE WITHOUT NOTICE AT ANY TIME
2. CUSTOMER OUTLINE DRAWING FOR REFERENCE ONLY