

POWER DIVIDER

350-6000 MHz
2WAY

Features

- ✓ Low VSWR
- ✓ Low Insertion Loss
- ✓ High Isolation



Specifications

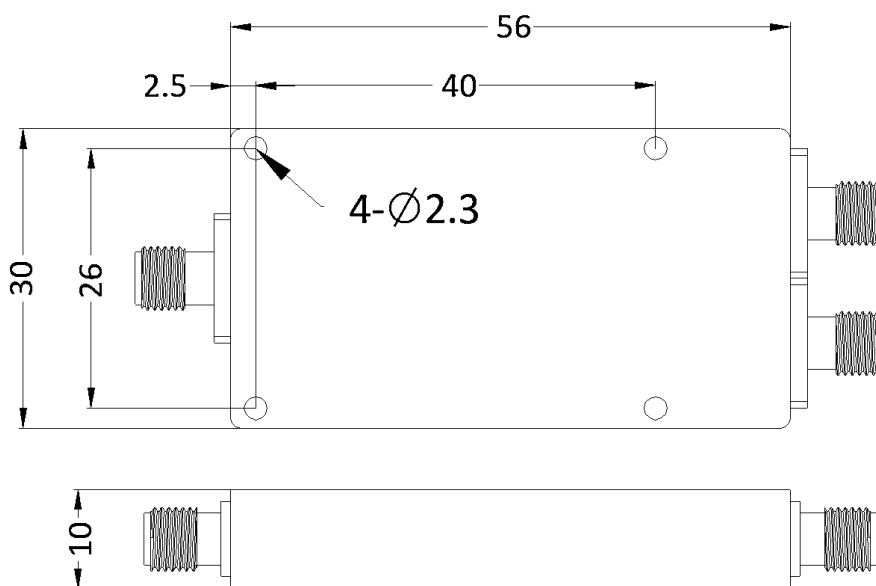
FREQUENCY RANGE: 350-6000 MHz
CONNECTOR TYPE: SMA FEMALE
OPERATING TEMPERATURE -40~+80°C

PART NUMBER	WAYS	INSERTION LOSS	PHASE BALANCE	AMPLITUDE BALANCE	ISOLATION	VSWR		POWER HANDLING(CW)	
						Input	Output	Forward	Reverse
MVE8538	2WAY	≤1.0dB	±3°	±0.3dB	≥15dB@350-500MHz ≥18dB@500-6000MHz	1.6:1	1.4:1	20W	2W

*Insertion Loss does not include 3.0 dB theoretical loss.

Tolerance:±0.5mm

Outline Drawing (Unit: mm)



NOTES:

1. ALL SPECIFICATIONS ARE SUBJECT TO CHANGE WITHOUT NOTICE AT ANY TIME
2. CUSTOMER OUTLINE DRAWING FOR REFERENCE ONLY



Typical Test Result

