

POWER DIVIDER

100-1500 MHz
4WAY

Features

- ✓ Broadband, low insertion loss, and high isolation
- ✓ Operating temperature -40~+80°C,
- ✓ SMA female connector I/O



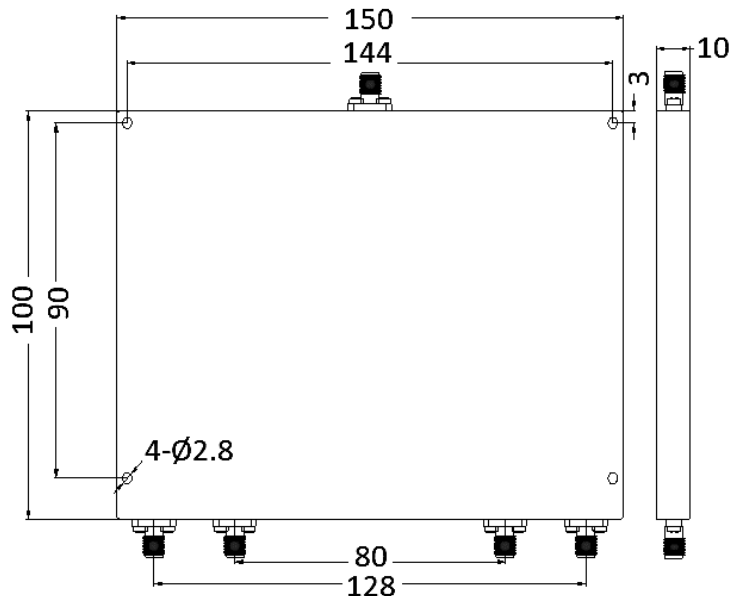
Specifications

FREQUENCY RANGE: 0.1-1.5 GHz
CONNECTOR TYPE: SMA FEMALE
TEMPERATURE RANGE: -40°C TO +80°C
SURFACE FINISH: BLUE PAINTING

| PART NUMBER | WAYS | INSERTION LOSS (MAX.) | PHASE UNBLANCE | AMPLITUDE UNBALANCE | ISOLATION (MIN.) | VSWR | | POWER HANDLING(CW) | |
|-------------|------|-----------------------|----------------|---------------------|---|--------|--------|--------------------|---------|
| | | | | | | Input | Output | Forward | Reverse |
| MVE8509-4 | 4WAY | 2.4dB* | ±4° | ±0.4dB | ≥17 dB @100-200MHz ≥20 dB @200-1500MHz | 1.45:1 | 1.45:1 | 20W | 2W |

*Insertion Loss does not include 6 dB theoretical loss.
Tolerance:±0.5mm

Outline Drawing (Unit: mm)



NOTES:

1. ALL SPECIFICATIONS ARE SUBJECT TO CHANGE WITHOUT NOTICE AT ANY TIME
2. CUSTOMER OUTLINE DRAWING FOR REFERENCE ONLY



Typical Test Result

