

POWER DIVIDER

SMA Resistive Type DC-18GHz

Features

- ✓ Frequency up to 18GHz
- ✓ Broadband design
- ✓ Low VSWR

Specifications

FREQUENCY RANGE: DC-18GHz

CONNECTOR TYPE: SMA MALE (INOUT PORT); SMA FEMALE (OUTPUT PORT)

TEMPERATURE RANGE: -55°C TO +125°C

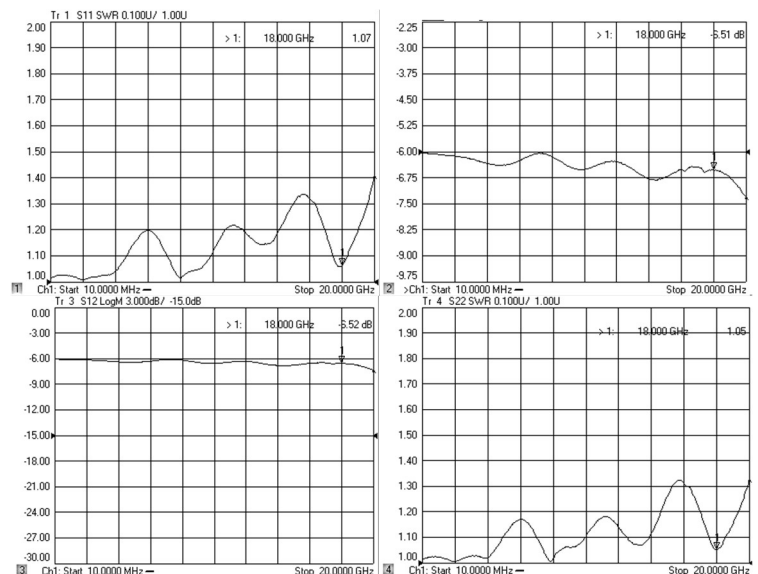
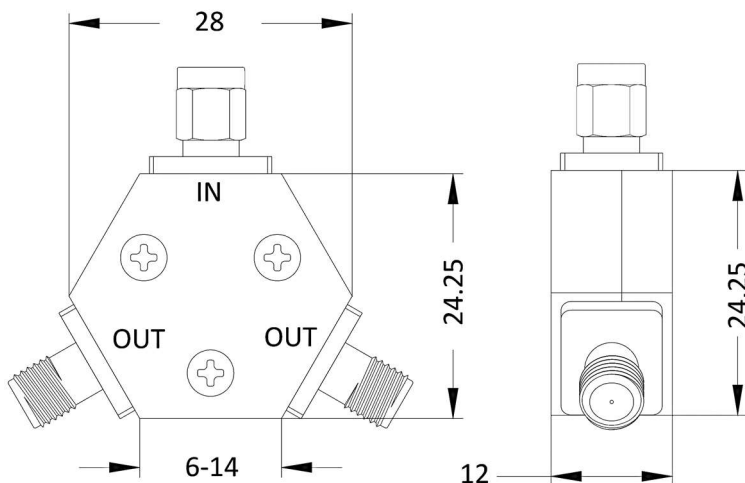


PART NUMBER	WAYS	INSERTION LOSS (MAX)	AMPLITUDE UNBALANCE (MAX)	PHASE UNBALANCE (MAX)	VSWR (MAX)	POWER HANDLING
MVE8281	2WAY	≤6.0dB±1.5dB	≤±0.8dB	±8°	1.60:1	≤0.5W

Tolerance:±0.5mm

Outline Drawing (Unit: mm)

Typical Test Result



NOTES:

1. ALL SPECIFICATIONS ARE SUBJECT TO CHANGE WITHOUT NOTICE AT ANY TIME
2. CUSTOMER OUTLINE DRAWING FOR REFERENCE ONLY

