

COAXIAL CIRCULATOR

SMA Series
4.0~8.0GHz

Features

- ✓ Frequency up to 8 GHz
- ✓ Low Insertion Loss, High Power Handling
- ✓ Temperature Range: -30~70 °C

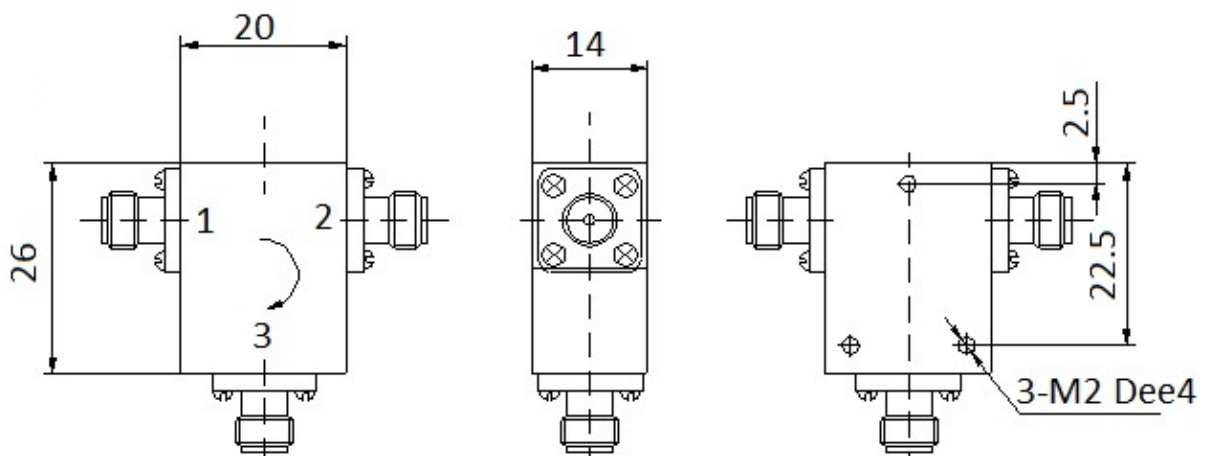
Specifications

CONNECTOR TYPE: SMA FEMALE

PART NUMBER	FREQUENCY (GHz)	VSWR (MAX.)	INSERTION LOSS (MAX.)	ISOLATION (dB MIN.)	FORWARD POWER	REVERSE POWER	TEMPERATURE
MVE7162	4-8 GHz	1.3:1	0.6dB	18dB	20W	50W	-30~70 °C

Tolerance: X= ±0.1

Outline Drawing (Unit: mm)



NOTES:

1. ALL SPECIFICATIONS ARE SUBJECT TO CHANGE WITHOUT NOTICE AT ANY TIME
2. CUSTOMER OUTLINE DRAWING FOR REFERENCE ONLY

