

# COAXIAL CIRCULATOR

3-6GHz  
SMA Series

## Features

- ✓ Frequency range: 3.0-6.0GHz
- ✓ Low Insertion Loss
- ✓ High Isolation



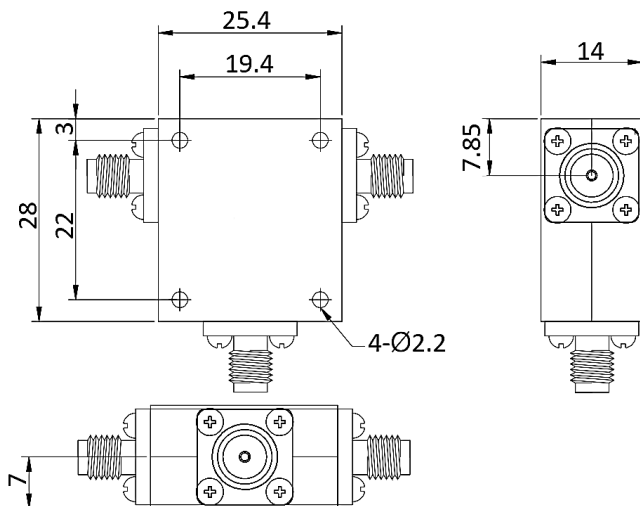
## Specifications

CONNECTOR TYPE: SMA FEMALE  
DIRECTION: CLOCKWISE 1→2→3

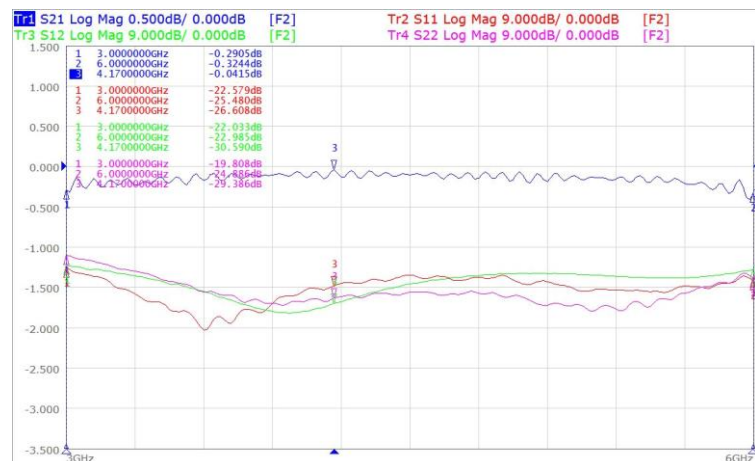
PART NUMBER	FREQUENCY (GHz)	VSWR	INSERTION LOSS	ISOLATION	POWER HANDLING	TEMPERATURE
MVE7148	3-6	≤ 1.30	≤0.5dB	≥18dB	100W CW	0~+60°C

Tolerance: ±0.5mm

## Outline Drawing (Unit: mm)



## Typical Test Result



### NOTES:

1. ALL SPECIFICATIONS ARE SUBJECT TO CHANGE WITHOUT NOTICE AT ANY TIME
2. CUSTOMER OUTLINE DRAWING FOR REFERENCE ONLY

