

DC BLOCK

BNC Series
0.01-3GHz

Features

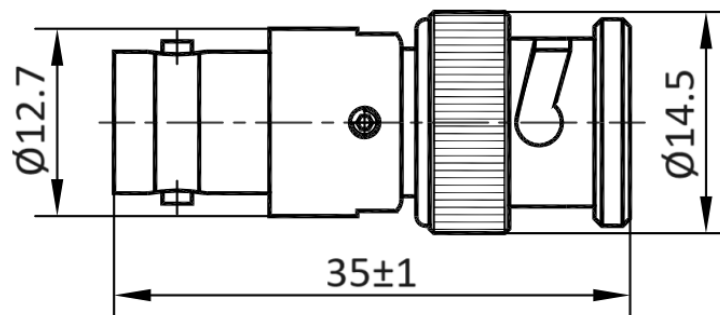
- ✓ Frequency Range: 0.01 to 3GHz
- ✓ 50V Protect DC Block
- ✓ Low VSWR & Insertion Loss

Specifications

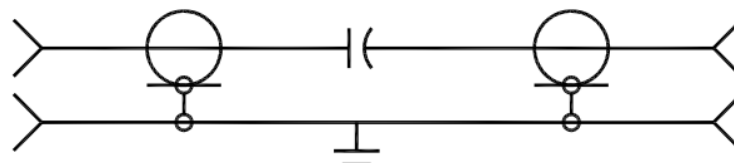
PART NUMBER	MVE6189
DESCRIPTION	BNC Male to Female 50V Inner DC Block, 0.01-3GHz
ELECTRICAL	MATERIALS
FREQUENCY: 0.01-3GHz IMPEDANCE: 50 Ohm INSERTION LOSS: 0.5dB MAX. VSWR: 1.15:1MAX. DC VOLTAGE: 50V TEMPERATURE RANGE: -55°C~+ 100°C	CONNECTOR: BRASS, TERNARY ALLOY PLATED

Tolerance: ±0.5mm

Outline Drawing (Unit: mm)



Electrical Schematic



NOTES:

1. ALL SPECIFICATIONS ARE SUBJECT TO CHANGE WITHOUT NOTICE AT ANY TIME
2. CUSTOMER OUTLINE DRAWING FOR REFERENCE ONLY

