

## DC BLOCK

## 75ohm F Type 10MHz-3000MHz

### Features

- ✓ Frequency Range:10MHz to 3000MHz
- ✓ 75ohm Impedance
- ✓ Low insertion loss

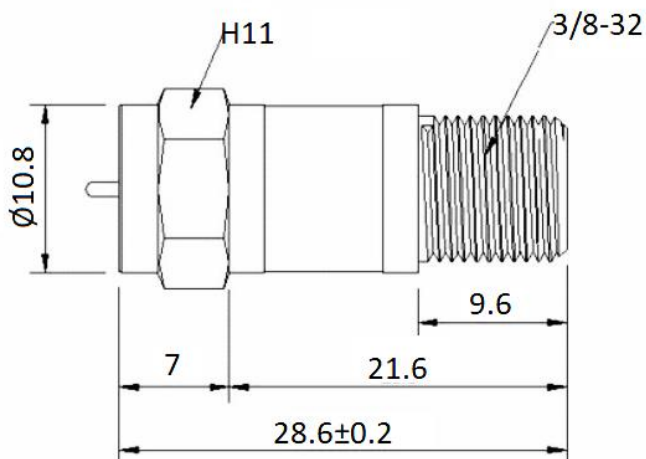


### Specifications

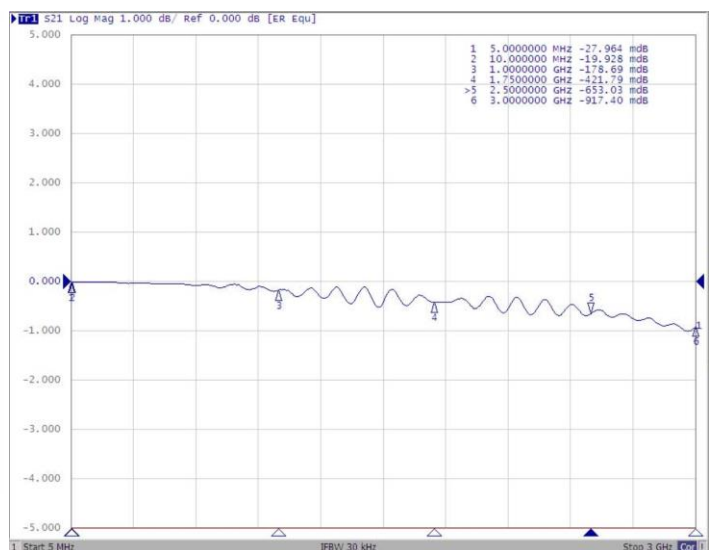
<b>PART NUMBER</b>	MVE6187
<b>DESCRIPTION</b>	75ohm F M/F In/Out 100V DC Block, 0.001-3GHz
<b>ELECTRICAL</b>	<b>MATERIALS</b>
FREQUENCY : 0.001-3GHz IMPEDANCE: 75ohm INSERTION LOSS: 1.5dB MAX. RETURN LOSS: 10dB MIN. VOLTAGE: 100V	BODY: BRASS, NICKEL PLATED

Tolerance: X±0.2 X.X±0.1 X.XX±0.05

### Outline Drawing (Unit: mm)



### Typical Test Result



#### NOTES:

1. ALL SPECIFICATIONS ARE SUBJECT TO CHANGE WITHOUT NOTICE AT ANY TIME
2. CUSTOMER OUTLINE DRAWING FOR REFERENCE ONLY

