

DCBLOCK

Inner Design 1.85mm 0.1-67GHz

Features

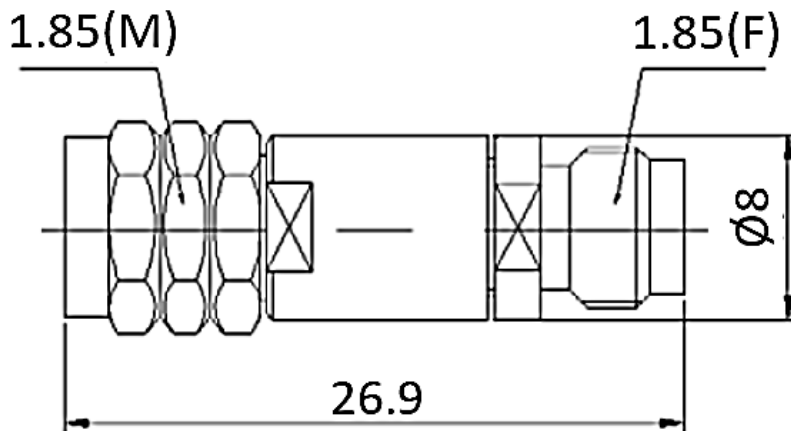
- ✓ Frequency up to 67GHz
- ✓ High Performance Design
- ✓ Low Insertion Loss

Specifications

PART NUMBER	MVE6186
DESCRIPTION	1.85mm Male to Female 16V Inner DC Block, 0.1-67GHz
ELECTRICAL	MATERIALS
FREQUENCY: 0.1-67GHz IMPEDANCE: 50Ω INSERTION LOSS: 0.9dB MAX.@0.1-0.15GHz 1.0dB MAX.@0.15-67GHz VSWR: 2.0:1 MAX. @0.1-0.15GHz 1.45:1 MAX. @0.15-67GHz DC VOLTAGE: 16V TEMPERATURE RANGE: -55°C - +100°C	CONNECTORS: STAINLESS STEEL MALE PIN: BERYLLIUM COPPER, GOLD PLATED FEMALE PIN: BERYLLIUM COPPER, GOLD PLATED HOUSING: STAINLESS STEEL

Tolerance: ±5%

Outline Drawing (Unit: mm)



NOTES:
1. ALL SPECIFICATIONS ARE SUBJECT TO CHANGE WITHOUT NOTICE AT ANY TIME
2. CUSTOMER OUTLINE DRAWING FOR REFERENCE ONLY

