

# DC BLOCK

## Inner Design 2.92mm 0.1-40GHz

### Features

- ✓ Frequency up to 40GHz
- ✓ Low VSWR, Excellent Insertion loss
- ✓ Rugged construction

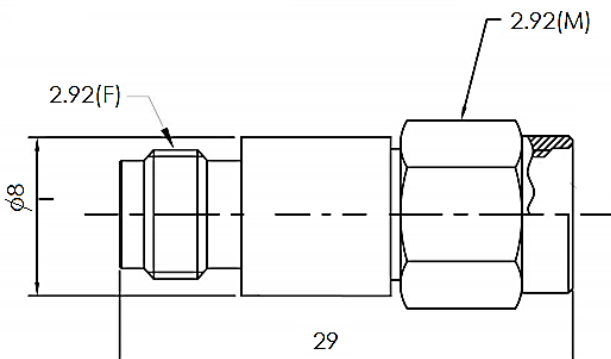


### Specifications

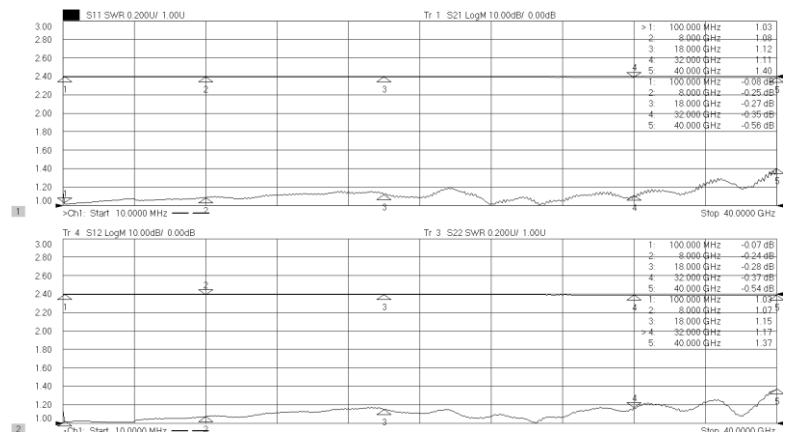
<b>PART NUMBER</b>	MVE6183
<b>DESCRIPTION</b>	2.92mm Male to Female 50V Inner DC Block, 0.1-40GHz /Stainless Steel
<b>ELECTRICAL</b>	<b>MATERIALS</b>
FREQUENCY : DC-40GHz IMPEDANCE: 50 Ohm INSERTION LOSS: 0.1-18GHz @ 0.5dB MAX. 18-32GHz @ 0.75dB MAX. 32-40GHz @ 1.2dB MAX. VSWR: 0.1-18GHz @ 1.3 MAX. 18-32GHz @ 1.4 MAX. 32-40GHz @ 1.55 MAX.	CONNECTORS: Stainless Steel PIN: Beryllium Copper Plated HOUSING: Stainless Steel DC INPUT VOLTAGE: 50V MAX. OPERATING Temp. -35°C~+ 85°C

Tolerance: X= ±5%

### Outline Drawing (Unit: mm)



### Typical Test Result



NOTES:

1. ALL SPECIFICATIONS ARE SUBJECT TO CHANGE WITHOUT NOTICE AT ANY TIME
2. CUSTOMER OUTLINE DRAWING FOR REFERENCE ONLY

