

DC BLOCK

3.5mm Series
0.03-26.5GHz

Features

- ✓ Frequency up to 26.5 GHz
- ✓ Low VSWR
- ✓ Low Insertion Loss

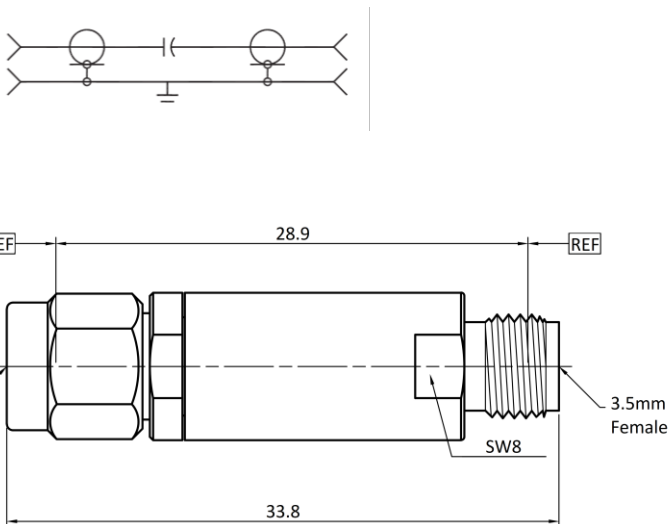


Specifications

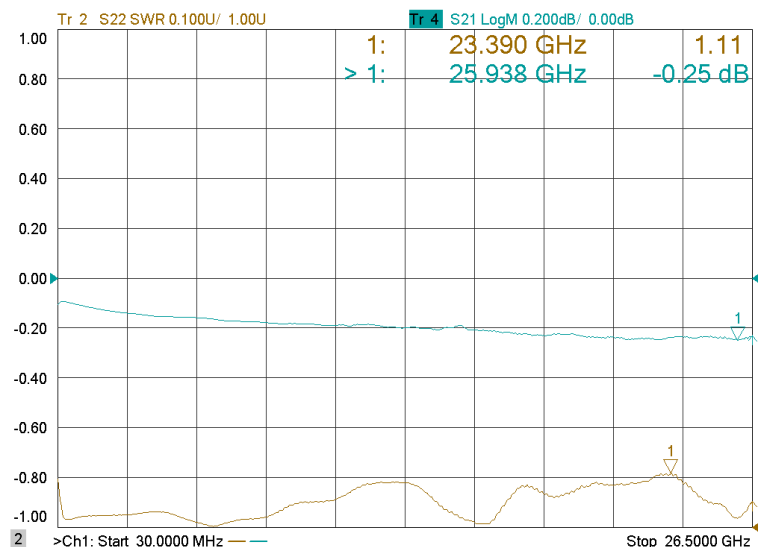
PART NUMBER	MVE6117
DESCRIPTION	3.5mm M/F Inner 50V DC Block, 0.03-26.5GHz /Stainless
ELECTRICAL	MATERIALS
FREQUENCY: 0.03-26.5GHz IMPEDANCE: 50ohm INSERTION LOSS: 0.6dB MAX. VSWR: 1.25:1 MAX. WORKING VOLTAGE: 50V	CONNECTOR: STAINLESS STEEL, PASSIVATED CENTER CONTACT: BERYLLIUM COPPER, GOLD PLATED INSULATOR: PEI

Tolerance: ±0.5mm

Outline Drawing (Unit: mm)



Typical Test Result



NOTES:

1. ALL SPECIFICATIONS ARE SUBJECT TO CHANGE WITHOUT NOTICE AT ANY TIME
2. CUSTOMER OUTLINE DRAWING FOR REFERENCE ONLY

