

DC BLOCK

SMA Series
0.03-27GHz

Features

- ✓ Frequency up to 27 GHz
- ✓ 50V Protect DC Block
- ✓ Low VSWR & Insertion Loss

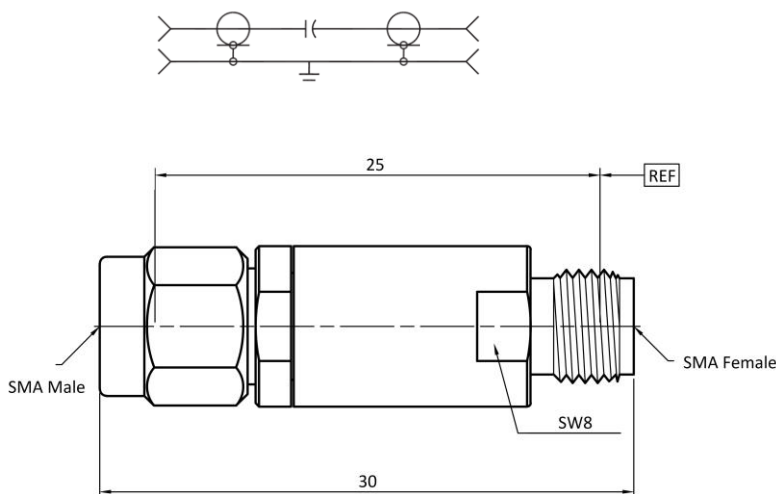


Specifications:

PART NUMBER	MVE6116
DESCRIPTION	SMA M/F Inner 50V DC Block, 0.03-27GHz /Stainless
ELECTRICAL	
FREQUENCY : 0.03-27GHz IMPEDANCE: 50 Ohms INSERTION LOSS: 0.8dB MAX. VSWR: 1.20:1 MAX. WORKING VOLTAGE: 50V	
MATERIALS	
CONNECTOR: STAINLESS STEEL, PASSIVATED CENTER CONTACT: BERYLLIUM COPPER, GOLD PLATED INSULATOR: PTFE&PEI	

Tolerance: ±0.5mm

Outline Drawing (Unit: mm)



NOTES:

1. ALL SPECIFICATIONS ARE SUBJECT TO CHANGE WITHOUT NOTICE AT ANY TIME
2. CUSTOMER OUTLINE DRAWING FOR REFERENCE ONLY

Typical Test Result

