

DC BLOCK

SMA Series 7KHz-23GHz

Features

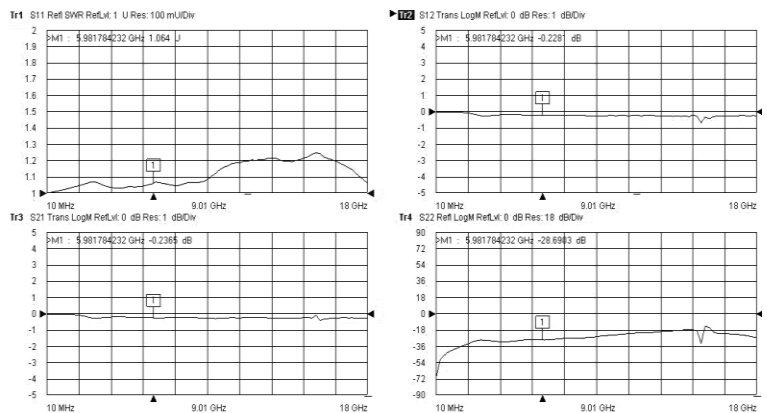
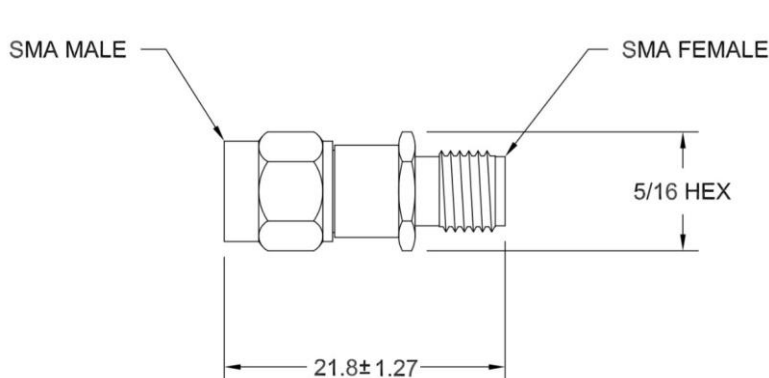
- ✓ Frequency up to 23GHz
- ✓ Low VSWR
- ✓ 100V DC Block

Specifications

PART NUMBER	MVE6111
DESCRIPTION	50ohm SMA Inner 100V DC Block, 7KHz~23GHz
ELECTRICAL	MATERIALS
FREQUENCY: 7KHz-23GHz IMPEDANCE: 50ohm INSERTION LOSS: 0.5 dB Max@12.4GHz 0.75 dB Max@23GHz VSWR: 1.35:1 MAX VOLTAGE RATING: 100V OPERATING TEMPERATURE: -65°C +125 °C	BODY: PASSIVATED STAINLESS STEEL PLATING CONTACT: GOLD PLATED BERYLLIUM COPPER

Outline Drawing (Unit: mm)

Typical Test Result



NOTES:

1. ALL SPECIFICATIONS ARE SUBJECT TO CHANGE WITHOUT NOTICE AT ANY TIME
2. CUSTOMER OUTLINE DRAWING FOR REFERENCE ONLY

