

# 180° HYBRID COUPLER

**2-4GHz**  
**SMA Series**

## Features

- ✓ Frequency Range: 2-4GHz
- ✓ Low Insertion Loss
- ✓ Low VSWR

## Specifications

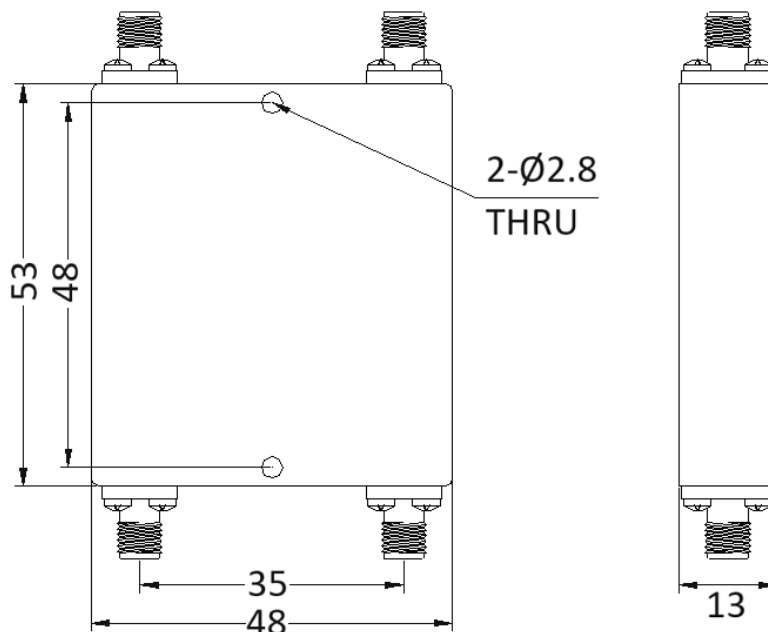
**FREQUENCY RANGE: 2-4 GHz**  
**CONNECTOR TYPE: SMA FEMALE**  
**TEMPERATURE RANGE: -45°C TO +85°C**

PART NUMBER	INSERTION LOSS	VSWR	AMPLITUDE BALANCE	PHASE BALANCE	ISOLATION	AVERAGE POWER
MVE4938-03	0.6dB MAX.	1.6:1 MAX.	±0.5dB	±10°	20dB MIN.	50W

\*Insertion Loss does not include 3 dB theoretical loss.

Tolerance: ±0.5mm

## Outline Drawing (Unit: mm)



NOTES:

1. ALL SPECIFICATIONS ARE SUBJECT TO CHANGE WITHOUT NOTICE AT ANY TIME
2. CUSTOMER OUTLINE DRAWING FOR REFERENCE ONLY