

# DIRECTIONAL COUPLER

2-8GHz  
SMA Series

## Features

- ✓ Frequency up to 8 GHz
- ✓ Full Frequency Bandwidth
- ✓ High Directivity
- ✓ Low VSWR



## Specifications

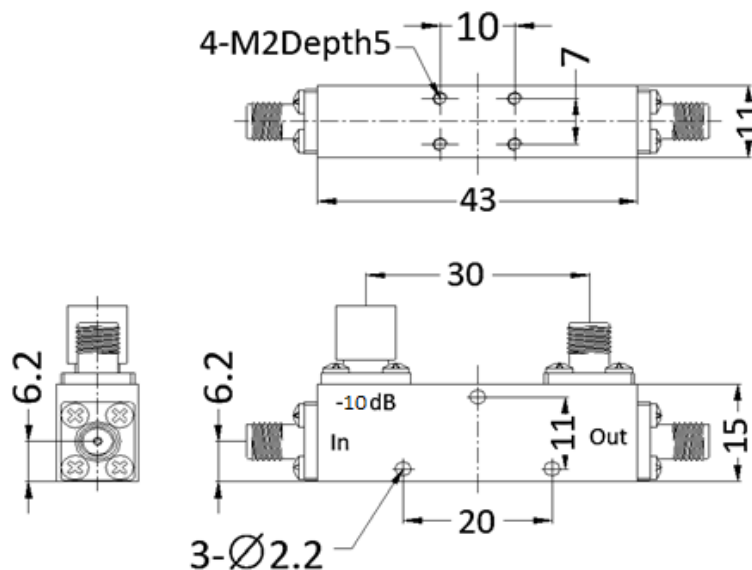
FREQUENCY RANGE: 2-8 GHz  
CONNECTOR TYPE: SMA FEMALE  
TEMPERATURE RANGE: -45°C TO +80°C

PART NUMBER	NOMINAL COUPLING (dB)	FREQUENCY SENSITIVITY(dB) MAX.	INSERTION LOSS (dB) MAX.	DIRECTIVITY (dB)MIN.	VSWR MAX.	AVERAGE POWER
MVE4622-10	10±1	±1.0	0.5*	20	1.20:1	50W

\*Insertion Loss does not include 0.45 dB theoretical loss.

Tolerance: ±0.5mm

## Outline Drawing (Unit: mm)

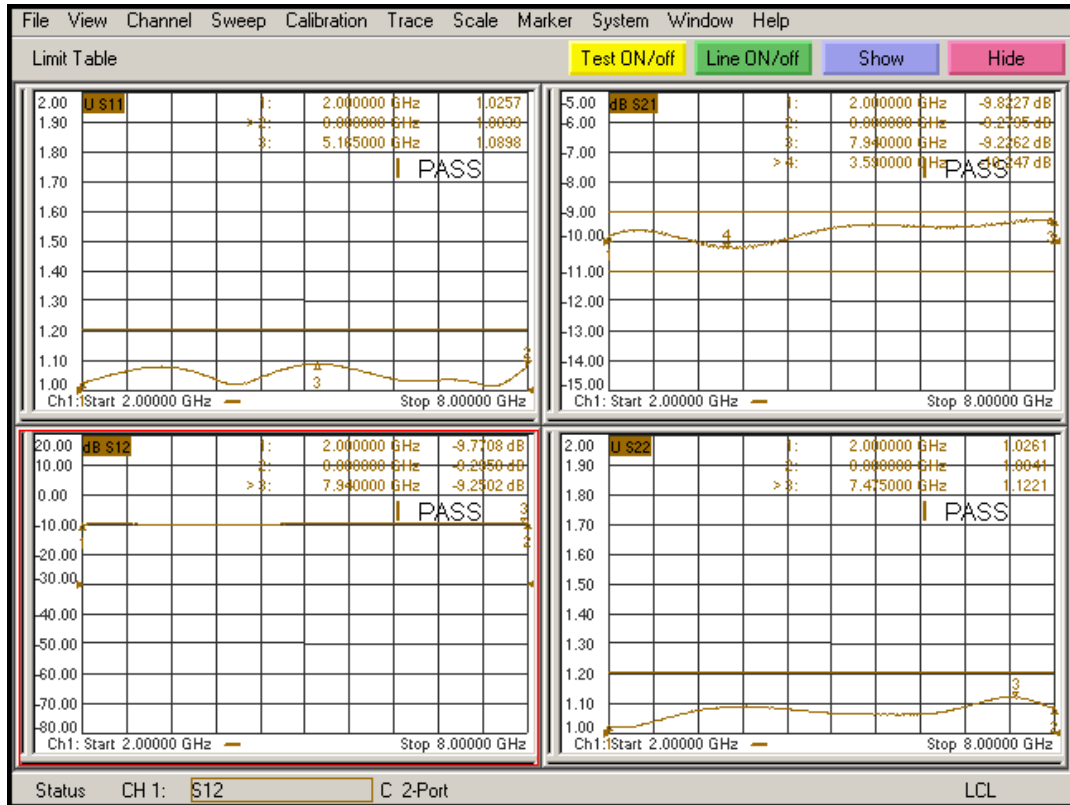


### NOTES:

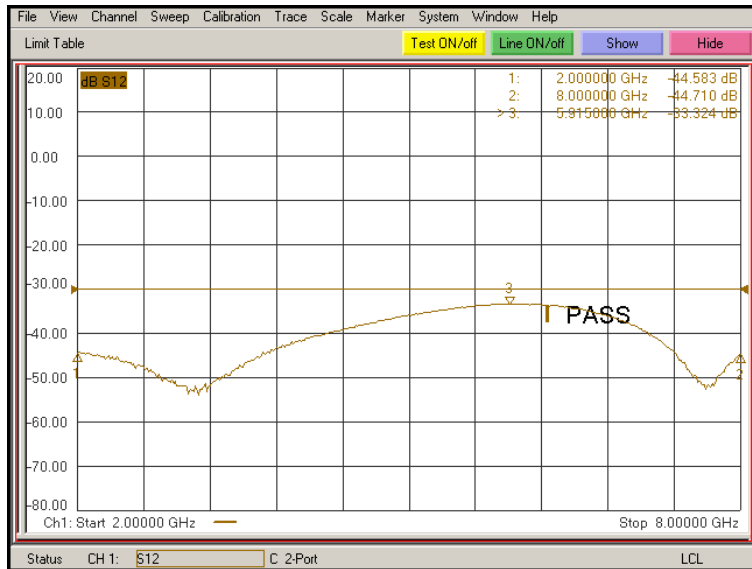
1. ALL SPECIFICATIONS ARE SUBJECT TO CHANGE WITHOUT NOTICE AT ANY TIME
2. CUSTOMER OUTLINE DRAWING FOR REFERENCE ONLY



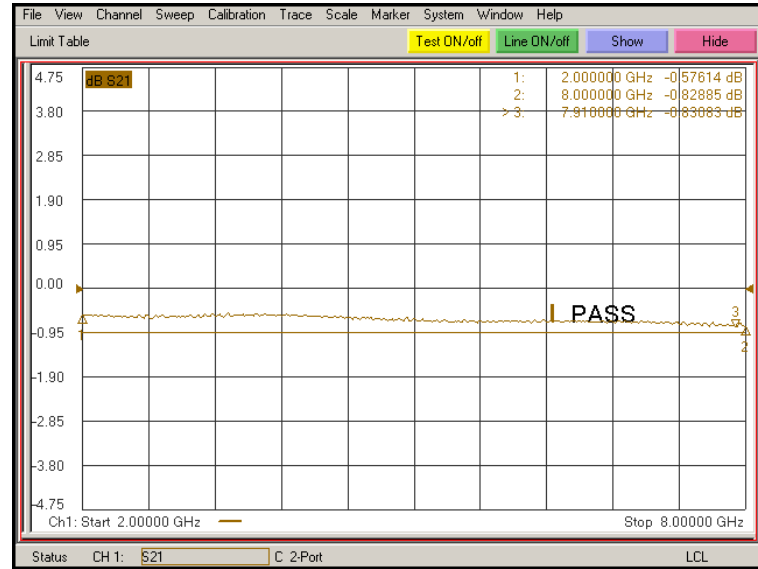
## Typical Test Result



## Coupling Flatness VSWR



## Directivity



## Insertion Loss

NOTES:

1. ALL SPECIFICATIONS ARE SUBJECT TO CHANGE WITHOUT NOTICE AT ANY TIME
2. CUSTOMER OUTLINE DRAWING FOR REFERENCE ONLY

