

COAXIAL CONNECTOR

SMA DIP TYPE

Features

- ✓ Low VSWR
- ✓ High Durability
- ✓ High performance design

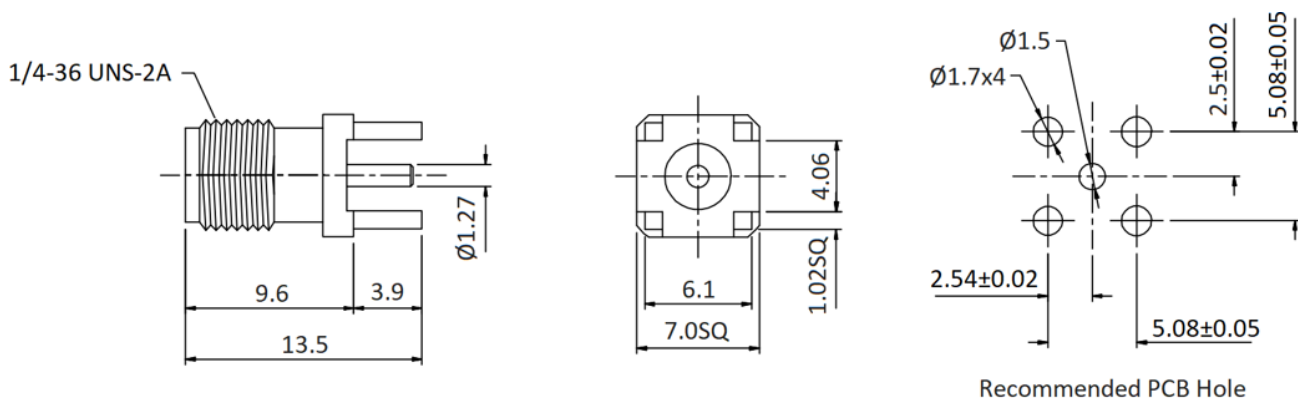


Specifications:

PART NUMBER	MVE3101-13.5	MVE3101(H)-13.5
DESCRIPTION	50ohm SMA Female S/T For PCB Connector, DIP DC-12.4GHz	50ohm SMA Female S/T For PCB Connector, DIP DC-18GHz
MATERIALS	BODY: BRASS, GOLD PLATED CONTACT: BE. COPPER, GOLD PLATED INSULATOR: TEFLON	BODY: BRASS, GOLD PLATED CONTACT: BE. COPPER, GOLD PLATED INSULATOR: TEFLON
ELECTRICAL	IMPEDANCE: 50 Ohm VSWR: 1.3:1 MAX. WORKING VOLTAGE: 500Vrms MAX. DIELECTRIC WITHSTANDING VOLTAGE: 1000Vrms MAX. INSULATOR RESISTANCE: 5000 Mega-Ohms	

TOLERANCE: X=±0.2 X.X=±0.1 X.XX=±0.05

Outline Drawing (Unit: mm)



NOTES:
1. ALL SPECIFICATIONS ARE SUBJECT TO CHANGE WITHOUT NOTICE AT ANY TIME
2. CUSTOMER OUTLINE DRAWING FOR REFERENCE ONLY

