

ROTARY ATTENUATOR

MVE2R83-50

DC to 18GHz
0-99dB

Features

- ✓ Excellent Accuracy Value
- ✓ Full Attenuation Range: 99dB(MVE2R83-50)
- ✓ Low VSWR, unconditional stable
- ✓ SMA female connector I/O (option: N)



Specifications

PART NUMBER	IMPEDANCE	FREQUENCY	ATTENUATION STEP	INSERTION LOSS(MAX.)	VSWR (MAX.)	AVERAGE POWER	CONNECTOR
MVE2R83-50	50 OHMS	DC – 18GHz	0-99 dB 1dB、10dB/step	1.50dB	1.75:1	2Watts @25°C	SMA * FEMALE

*Option Connector N (Female to Female): MVE2R83N-50)

ATTENUATION ACCURACY

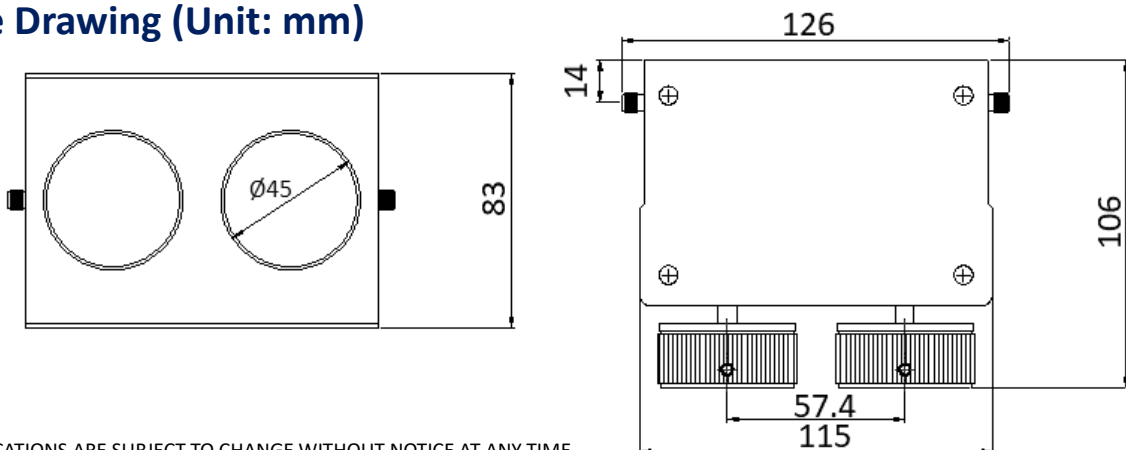
- ±0.5 dB (<9dB@DC-8GHz)
- ±0.8 dB (<9dB@>8GHz)
- ±1.0 dB (10-19dB)
- ±1.5 dB (20-49dB)
- ±2.0 dB(50-69dB)
- ±2.5 dB or 3.5% (70-99dB)

MATERIALS

CONNECTOR: BRASS, NICKEL PLATED
MALE PIN: BRASS, GOLD PLATED
FEMALE PIN: BERYLLIUM COOPER, GOLD PLATED
HOUSING: ALUMINUM, ANODIC OXIDATION

Tolerance: X= ±5%

Outline Drawing (Unit: mm)



NOTES:
1. ALL SPECIFICATIONS ARE SUBJECT TO CHANGE WITHOUT NOTICE AT ANY TIME
2. CUSTOMER OUTLINE DRAWING FOR REFERENCE ONLY



Typical Test Result

