

ROTARY ATTENUATOR

MVE2R80-50, MVE2R80N-50

DC to 18GHz
Rotary, 0-69dB
1dB&10dB/Step

Features

- ✓ Excellent Accuracy Value
- ✓ Full Attenuation Range: 69dB
- ✓ Low VSWR, unconditional stable
- ✓ SMA female connector I/O (option: N)

Specifications

PART NUMBER	IMPEDANCE	FREQUENCY	ATTENUATION STEP	INSERTION LOSS(MAX.)	VSWR (MAX.)	CONNECTOR
MVE2R80-50 MVE2R80N-50	50 OHMS	DC – 18GHz	0-69 dB 1dB&10dB/step	1.50dB	1.75:1	SMA (F-F) N (M-F)

*Option Connector N(Male to Female): MVE2R80N-50

ATTENUATION ACCURACY

01-09dB: ± 0.8 dB
10-19dB: ± 1.0 dB
20-49dB: ± 1.5 dB
50-69dB: ± 2.0 dB (50-69dB)

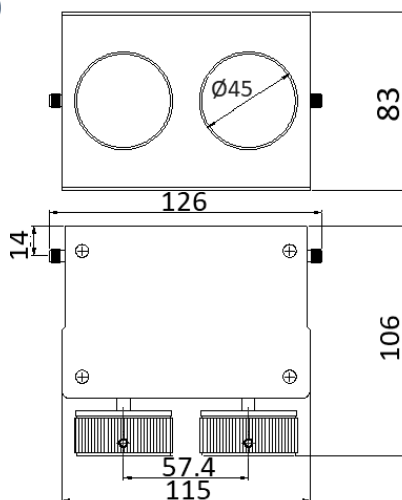
MATERIALS

CONNECTOR: BRASS, NICKEL PLATED
MALE PIN: BRASS, GOLD PLATED
FEMALE PIN: BERYLLIUM COPPER, GOLD PLATED
BODY: ALUMINUM, BLUE PAINT

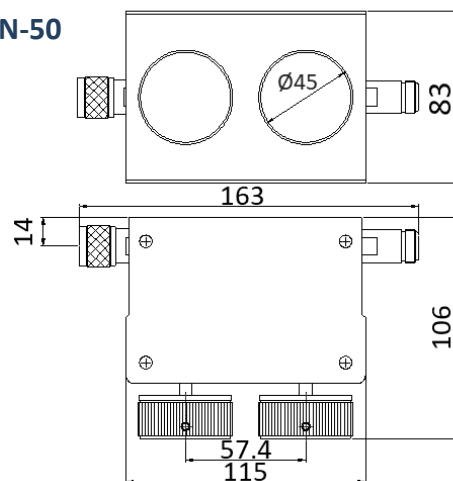
Tolerance: $\pm 5\%$

Outline Drawing (Unit: mm)

MVE2R80-50



MVE2R80N-50



- NOTES:
1. ALL SPECIFICATIONS ARE SUBJECT TO CHANGE WITHOUT NOTICE AT ANY TIME
 2. CUSTOMER OUTLINE DRAWING FOR REFERENCE ONLY

