

Waveguide Fixed Attenuator MVE2854-XX

**WR10
75-110GHz**

Features

- ✓ Broad Band Coverage
- ✓ High Accuracy
- ✓ Low VSWR



Specifications

PART NUMBER	IMPEDANCE	FREQUENCY	STANDARD VALUE	VSWR	FLANGE TYPE
MVE2854-XX	50 ohm	75-110GHz	10,20,30	1.25:1 MAX	UG-387/U

-XX: Insert dB value desired

ATTENUATION ACCURACY

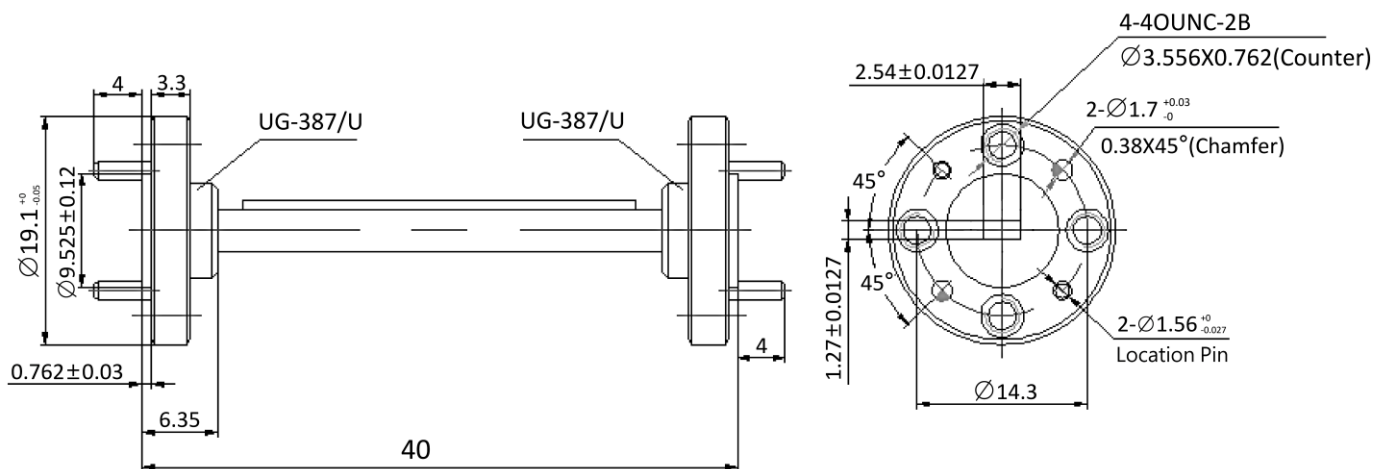
- 10dB: ± 1.0 MAX.
- 20dB: ± 1.0 MAX.
- 30dB: ± 1.0 MAX.

MATERIAL/FINISH

- BODY: BRASS COPPER
- FINISH: GOLD PLATED

Tolerance: ± 0.2 mm

Outline Drawing (Unit: mm)



NOTES:

1. ALL SPECIFICATIONS ARE SUBJECT TO CHANGE WITHOUT NOTICE AT ANY TIME
2. CUSTOMER OUTLINE DRAWING FOR REFERENCE ONLY