

# Waveguide Fixed Attenuator MVE2853-XX

**WR12**  
**60-90GHz**

## Features

- ✓ Broad Band Coverage
- ✓ High Accuracy
- ✓ Low VSWR



## Specifications

PART NUMBER	IMPEDANCE	FREQUENCY	STANDARD VALUE	VSWR	FLANGE TYPE
MVE2853-XX	50 ohm	60-90GHz	10,20,30	1.25:1 MAX	UG-387/U

-XX: Insert dB value desired

### ATTENUATION ACCURACY

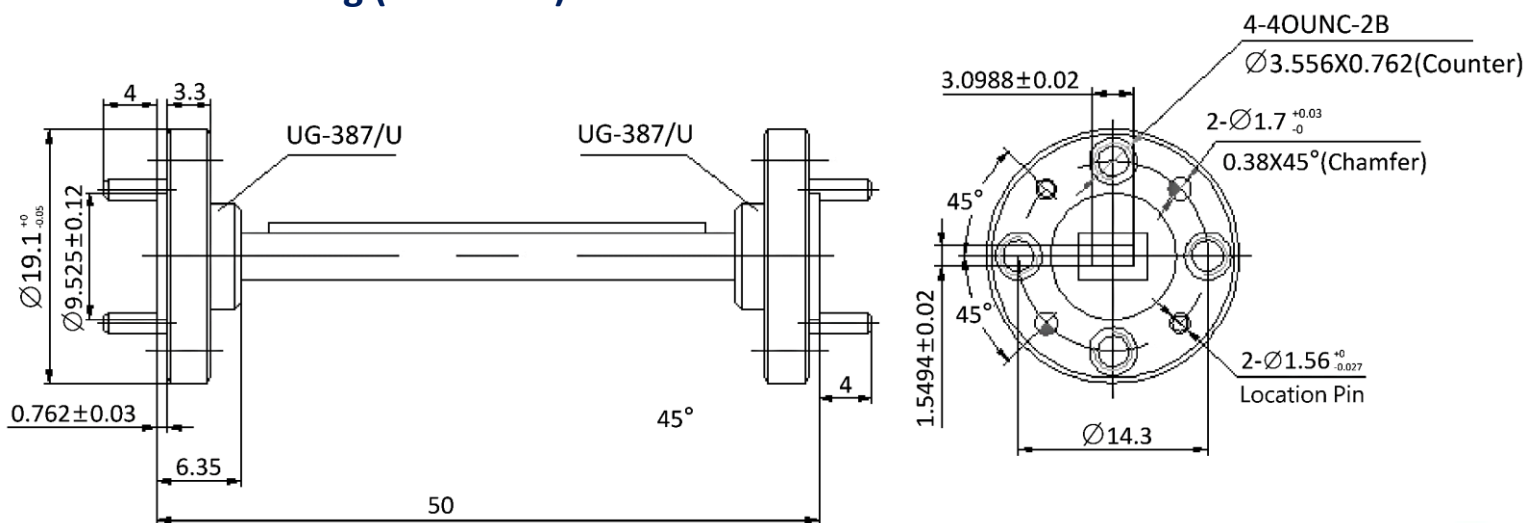
- 10dB:  $\pm 1.0$ MAX.
- 20dB:  $\pm 1.0$ MAX.
- 30dB:  $\pm 1.0$ MAX.

### MATERIAL/FINISH

- BODY: BRASS COPPER
- FINISH: GOLD PLATED

Tolerance:  $\pm 0.2$ mm

## Outline Drawing (Unit: mm)



### NOTES:

1. ALL SPECIFICATIONS ARE SUBJECT TO CHANGE WITHOUT NOTICE AT ANY TIME
2. CUSTOMER OUTLINE DRAWING FOR REFERENCE ONLY



## Typical Test Result

