

FIXED ATTENUATOR MVE2766-XX

DC to 12.4GHz
N Type 200Watts

Features

- ✓ Frequency up to 12.4GHz
- ✓ High Accuracy
- ✓ High Power Rating



Specifications

PART NUMBER	IMPEDANCE	FREQUENCY	STANDARD VALUE	VSWR	AVERAGE POWER	CONNECTOR TYPE
MVE2766-XX	50 ohm	DC-12.4GHz	10,20,30,40, 50,60	1.35:1	200Watts @25°C	N MALE(RF IN)- FEMALE

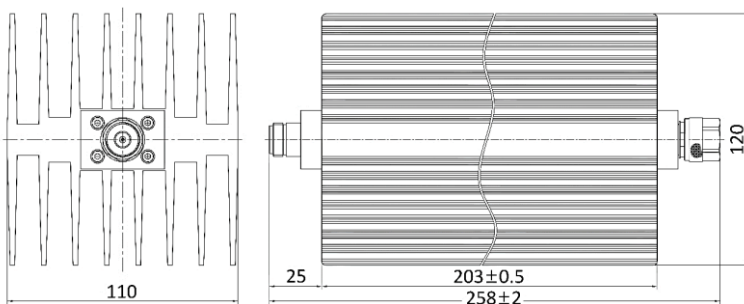
-XX: Insert dB value desired

ATTENUATION ACCURACY

- 10dB: ±1.5 MAX.
- 20dB: ± 0.9 MAX.
- 30dB: ± 1.0 MAX.
- 40-60dB: ± 1.1 MAX.

Tolerance:±0.5mm

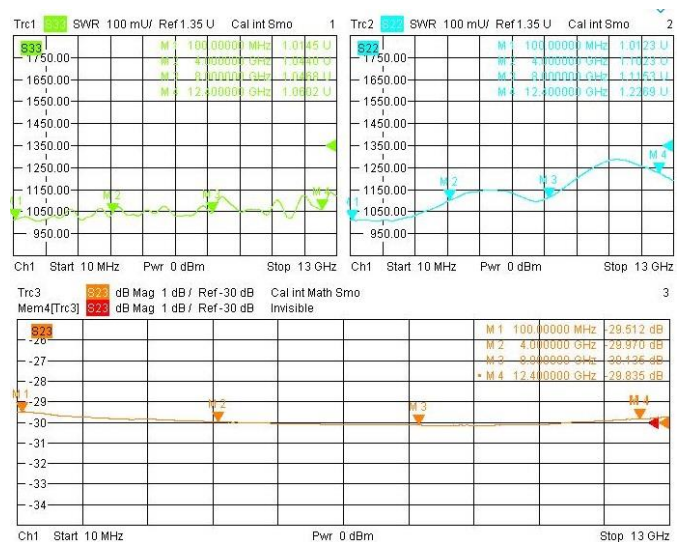
Outline Drawing (Unit: mm)



MATERIAL/FINISH

HOUSING: ALUMINUM, BLACK ANODIZE
CONNECTOR: BRASS NICKEL PLATED

Typical Test Result (MVE2766-30)



NOTES:

1. ALL SPECIFICATIONS ARE SUBJECT TO CHANGE WITHOUT NOTICE AT ANY TIME
2. CUSTOMER OUTLINE DRAWING FOR REFERENCE ONLY

