

# FIXED ATTENUATOR

## MVE2214-XX

DC to 26.5GHz

### Features

- ✓ Frequency up to 26.5GHz
- ✓ High Accuracy
- ✓ Low VSWR

### Specifications

PART NUMBER	IMPEDANCE	FREQUENCY	VSWR	AVERAGE POWER	PEAK POWER	CONNECTOR TYPE
MVE2214-XX	50 ohm	DC – 26.5GHz	1.35:1 @ 26.5GHz 1.30:1 @ 18 GHz	2Watts	500Watts	SMA

-XX: Insert dB value desired

#### ATTENUATION ACCURACY

01-10dB: ±1.0  
11-20dB: ±1.0  
21-30dB: ±1.5

#### MATERIAL/FINISH

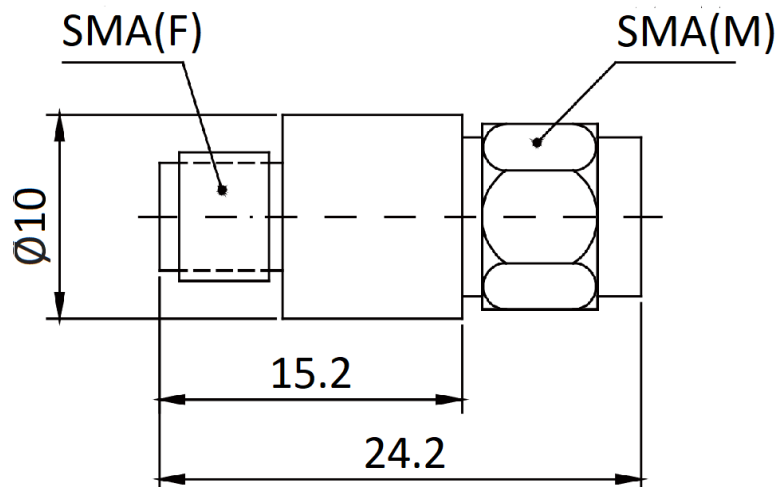
MATERIAL BODY: BRASS GOLD PLATED  
MALE PIN: BRASS GOLD PLATED  
FEMALE PIN: BERYLLIUM COPPER GOLD PLATED  
CENTER CONTACT: BRASS GOLD PLATED

#### ENVIRONMENTAL

TEMPERATURE RANGE: -55°C TO +125°C

Tolerance: X= ±5%

### Outline Drawing (Unit: mm)



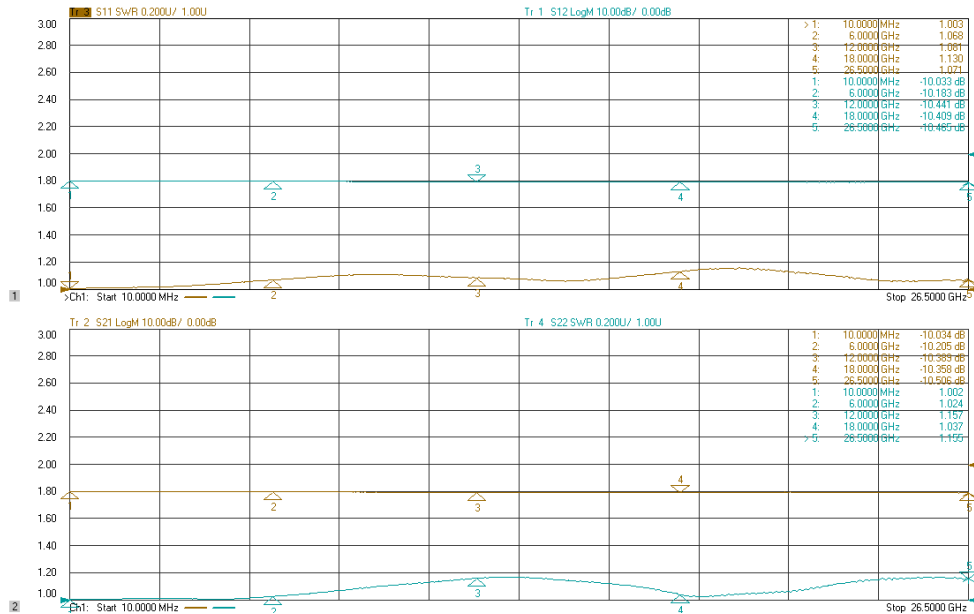
#### NOTES:

1. ALL SPECIFICATIONS ARE SUBJECT TO CHANGE WITHOUT NOTICE AT ANY TIME
2. CUSTOMER OUTLINE DRAWING FOR REFERENCE ONLY

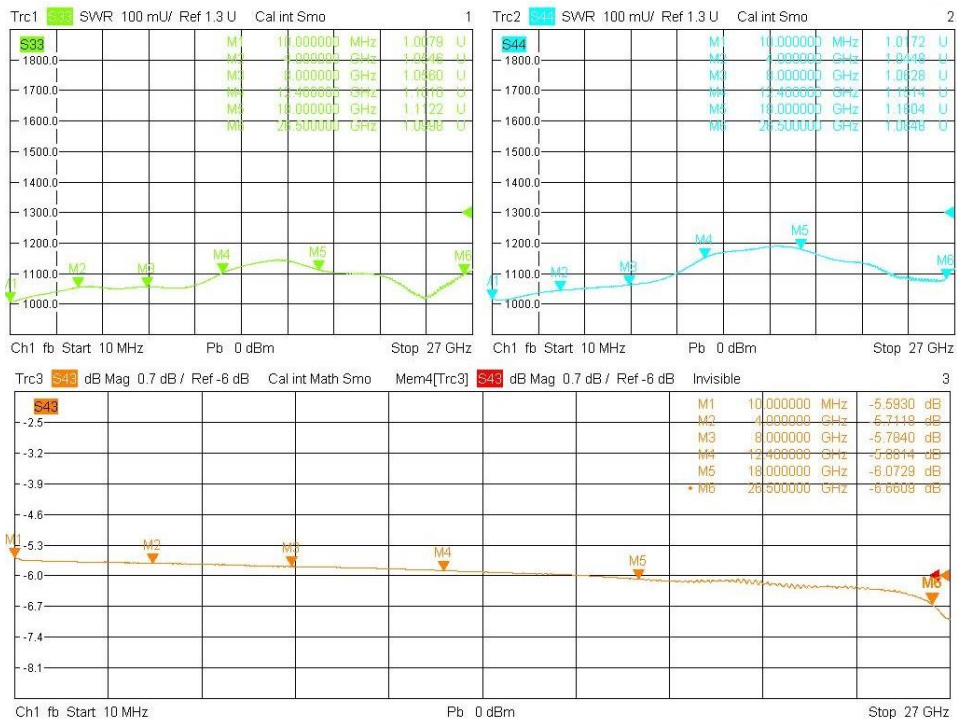


## Typical Test Result

### (MVE2214-10)



### (MVE2214-06)



NOTES:

1. ALL SPECIFICATIONS ARE SUBJECT TO CHANGE WITHOUT NOTICE AT ANY TIME
2. CUSTOMER OUTLINE DRAWING FOR REFERENCE ONLY

