

ELECTRICAL DATA

FREQUENCY : DC-6GHz

IMPEDANCE: 50Ω

VSWR:1.3:1 MAX.

DIELECTRIC WITHSTANDING VOLTAGE: 500 Vrms

WORKING VOLTAGE: 170 Vrms MAX.

INSULATION RESISTANCE: 1000Mega Ohms

CENTER CONTACT RESISTANCE: 6.0 mini Ohm

OUTER CONTACT RESISTANCE: 2.5 mini Ohm

MECHANICAL DATA

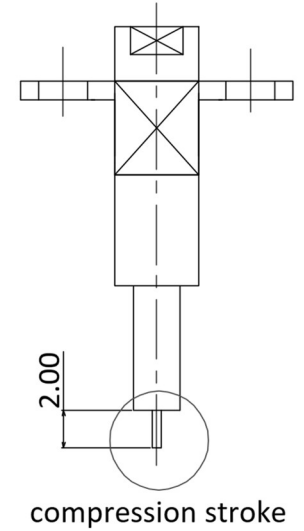
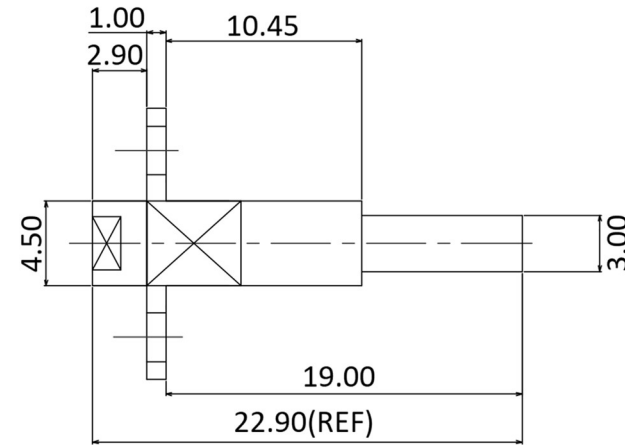
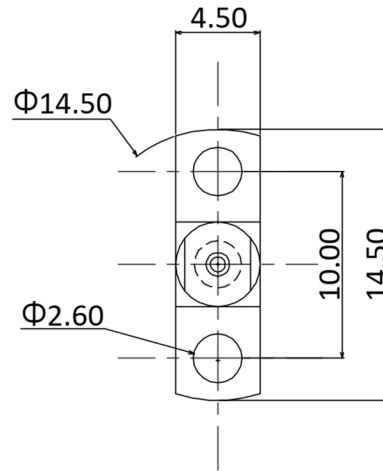
COUPLING METHOD:THREADED

DURABILITY(MATING/UNMATING):10,000 Cycles

APPLICATION



Fully mating with Hirose U.FL , IPEX MHF.



DESCRIPTION	MATERIALS	ROHS COMPLIANCE	UNIT: mm
BODY	BRASS, GOLD PLATED	TOLERANCE:±0.1	
CENTER PIN	BRASS,GOLD PLATED	TITLE	
SPRING	SUS304	U.FL/MHF To MMCX Female 2 Hole	
INSULATOR	TEFLON	Adapter, DC-6GHz	

NOTES

1. ALL SPECIFICATIONS ARE SUBJECT TO CHANGE WITHOUT NOTICE AT ANY TIME
2. CUSTOMER OUTLINE DRAWING FOR REFERENCE ONLY



芝程科技有限公司

www.micro-mve.com

DC-67GHz RF& Microwave Components

PART NO.

MVE1968-S

REV
2.0

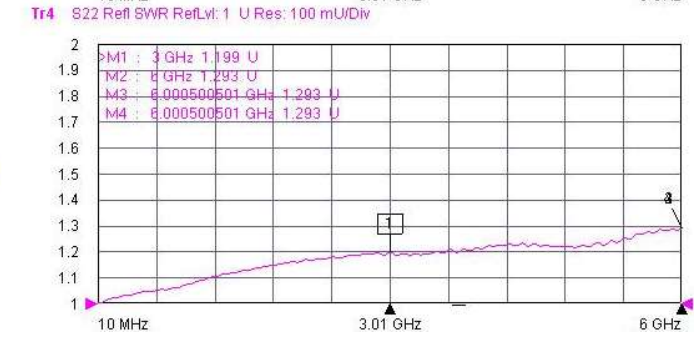
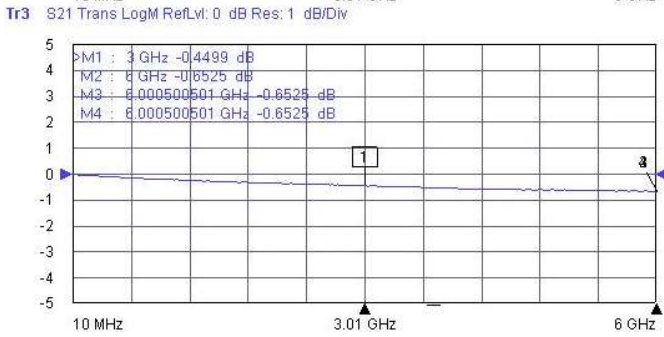
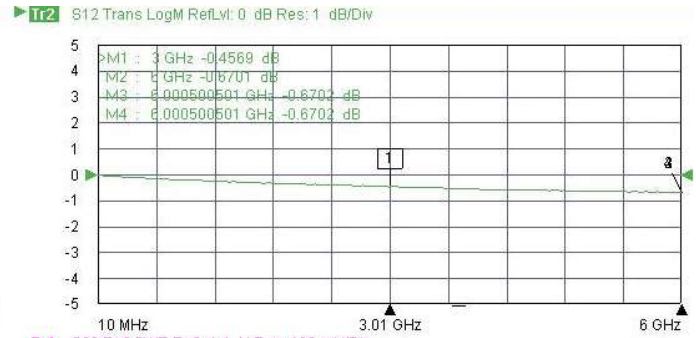
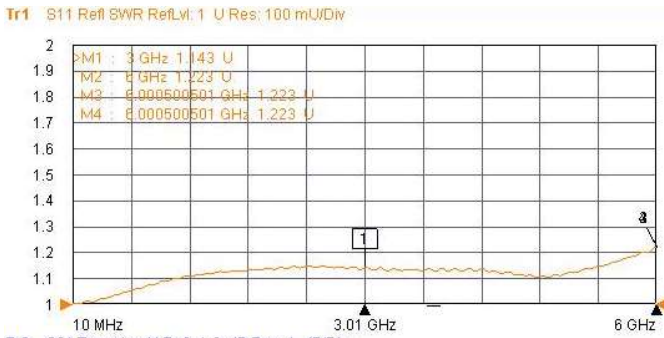
SIZE: A

SHEET: 1/1

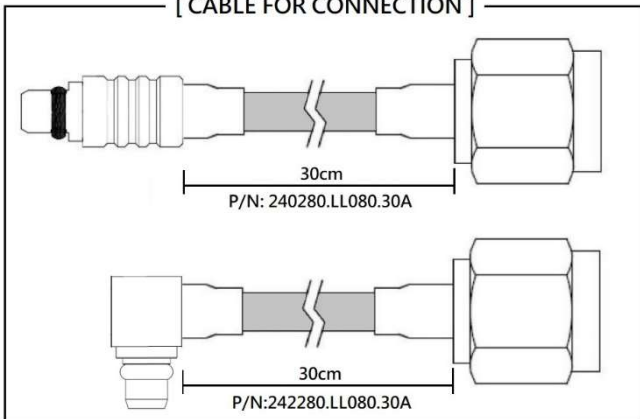
SCALE:

Typical Test Result

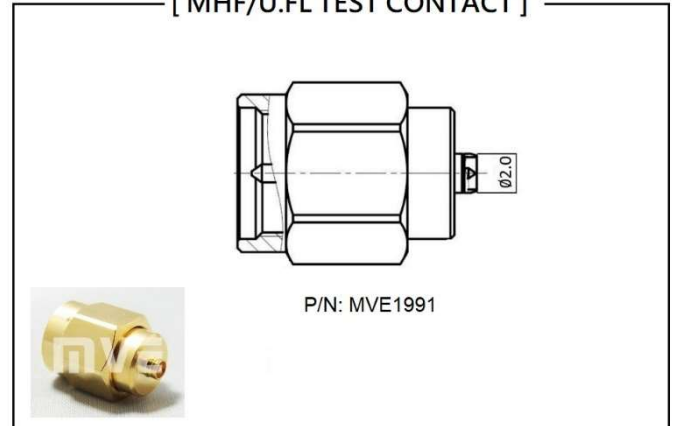
PART NUMBER	DESCRIPTION
MVE1968-S	MMCX Female To U.FL Probe Adapter, DC-6GHz



[CABLE FOR CONNECTION]



[MHF/U.FL TEST CONTACT]



NOTES

1. ALL SPECIFICATIONS ARE SUBJECT TO CHANGE WITHOUT NOTICE AT ANY TIME
2. CUSTOMER OUTLINE DRAWING FOR REFERENCE ONLY